



innovative
enclosure solutions
for industrial & electronic
applications

The **ETANEXT**
Research Centre
project has led to the
creation of the new

eCOR

Fe

The enclosure
is produced to
INDUSTRY 4.0
criteria to offer you
made-to-measure
solutions to fit
your needs



*Aldo Turati
and his sister Luigia
are President
and CEO
respectively.*



innovative
enclosure solutions
for industrial & electronic
applications

40 YEARS IN THE MAKING



4 businesses and 4 materials, for an experience that continues to grow

ETA is a reliable and certified company that believes strongly in change, whose goal – since 1978 – has been to design and manufacture high quality Enclosures made from sheet steel, stainless steel and aluminium, combining innovation with the all the experience gained throughout its years of activity in the sector.

- Staff 200+ employees**
- Turnover € 35 million**
- 70,000 m²**
- 4 production units in Italy**
- 1 logistics centre in Italy**
- 1 ETA Next Research and Development Centre**
- 1 production site in Romania**
- 3 sales/Logistics operations in Europe (UK, France, and Poland)**
- 1 representative office in Russia**
- 40 countries worldwide with distribution points**
- 90% of the product destined for foreign markets**
- 40 years of activity. Reliable, experienced and ready to help**



*The head office is
in Canzo (CO).*

ETA Group represents a reliable and recognised point of reference for the Global Enclosures market.

In 2018 we celebrated our 40th anniversary, with a production that has grown over the years, and we now offer products for four different sectors:

1 INDUSTRIAL AUTOMATION

Sheet steel solutions with modular and interlocking cabinets, compact and mono-block solutions, wall-mounted enclosures, junction boxes, Desks, suspension systems for control interfaces, and walkable systems for cable ducting plus thermal management solutions.

2 HARSH ENVIRONMENTS

For indoor and outdoor applications requiring high level of hygiene and/or resistance to chemical agents or environmental conditions, a wide range of solutions made from AISI304L or AISI316L stainless steel or aluminium alloy, with specific concepts for outdoor applications.

3 LV ENERGY DISTRIBUTION

The ENERPOWER range with Power Centres, Motor Control Centres, and Secondary Distribution Panels.

4 IT BUSINESS

ABACUS - solutions with IP20 protection ratings to offer the best performance, even for simplified applications (wiring or server applications).

EXARO - a modular and flexible system of infrastructural solutions for creating advanced architectures expandable from single conditioned racks to large data centres, even including micro and edge data centre architectures.

For over 40 years, ETA (an acronym for Eredi Turati Antonio) has been an important global partner for the design and implementation of enclosures and solutions for industrial automation, harsh environments, LV energy distribution, and IT business and data centre solutions.



SYSTEM CERTIFICATIONS

IMQ	CSQ	ISO 9001	CSQ	ISO 9001
UE	ITALY / WORLD	ITALY	ITALY / WORLD	ITALY / WORLD
IMQ	IMQ	ISTITUTO ITALIANO DI SALDATURA	IMQ	IMQ
EN ISO IEC 80079-34	UNI EN ISO9001	UNI EN ISO15614-1 cert. N. LB0017/10	OHSAS 18001	OHSAS 18001

CONFORMITY OF MATERIAL

RoHS COMPLIANT

ITALY / WORLD

2011/65/EU



MULTIPLIES THE EXPERIENCE



1

INDUSTRIAL AUTOMATION



2

HARSH ENVIRONMENTS



3

LV ENERGY DISTRIBUTION



4

IT BUSINESS

ETA Next
Research and
Development centre.



THE ETA RESEARCH CENTRE

DEDICATED TO CREATING THE PRODUCTS OF TOMORROW, TODAY

In order to grow, it is crucial to identify and create a corporate Vision that is in line with the company's own values and Mission. And while the corporate Vision embodies its dream, what we want our company to be like in the future, Our Dream is beginning to take shape. Our Vision is called ETA Next.

Inaugurated in 2017 in the city of Canzo (CO), Italy, ETA Next is the ETA Research Centre dedicated to Conceiving, Designing and Developing new solutions, with the goal of offering new standard products and solutions, as well as projects dedicated to our Business Partners.

A veritable Laboratory of Ideas and Solutions for ETA's R&D Department, where the customers' needs can be studied, the projects' components can be tested (thanks to the production systems entirely dedicated to prototyping and testing), and the most efficient and effective alternatives can be selected.

Within ETA Next there is also an entire department dedicated to Quality and Safety, to be on the avant-garde when it comes to certifications and the sector's regulations and standards, and to respond to the precise and unique market requests, thanks to a dedicated laboratory complete with all necessary tools and equipment.



COMPREHENSIVE SERVICE

OUR STANDARD IS TO OFFER ADDED VALUE

When it is necessary to think outside the box to come up with an unusual solution, ETA develops the product that best adapts to the specific application.

Personalisation capabilities are shaped when different needs arise: bending/stamping systems and advanced laser-cutting technology for drilling holes, an automatic painting system for RAL colours and special finishes/cycles, a skilled technical skill to help you define product specifications that fulfil your needs.

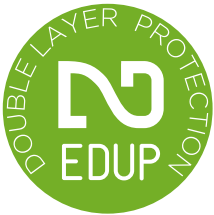
Do you need to download technical drawings in 2D (.dwg, .dxf, .pdf) and 3D (.step) format, declarations of conformity, technical E BOOKS, product images, videos?

Our website www.eta.it and the myETA platform have all the information you need!

Follow us on our company's social media pages: a Youtube channel for viewing corporate videos and technical product videos, and a LinkedIn channel for keeping up with the latest developments!



The mark indicating
ETA products that
have undergone
E DUP surface treatment



DOUBLE PROTECTION FOR UNIQUE PRODUCTS

THE CATAPHORESIS PROCESS

For the first time ever, the cathodic electrocoating process has been applied to the painting of enclosures and electrical panels. The system is called E DUP, double protection.

The new E DUP treatment – Double Layer Protection – includes a first layer of paint using cathode electrophoresis with epoxy resin and a topcoat of epoxy-polyester thermosetting powder, according to the standard ETA electrostatic cycle (ETA RAL7035, textured, or an entire range of RAL colours available upon request).

This treatment – which is standard for all of ETA's painted solutions – uses a primer of undisputed chemical and physical properties, to ensure better product performance. The goal is to offer increasingly reliable, performing and suitable solutions for a variety of environments and applications.

The highly automated and innovative process has made it possible to obtain results of high qualitative characteristics, reducing the thickness of topcoats and eliminating wasted paint, in full respect of environmental sustainability.

Only ETA makes E DUP: double protection for unique products.



After degreasing and cleaning the sheet metal, the parts are immersed in a large vat where electrophoresis takes place.



INDUSTRY
4.0

RESEARCH AND EXPERTISE

TECHNOLOGICAL INNOVATION IS AN ABSOLUTE MUST FOR THE NEW PRODUCTION LINE 4.0

In 2016, ETA Group purchased an abandoned industrial area, and redeveloped it in full compliance with the principles of sustainability, restructuring the building and the entire surrounding area. All this without taking any land away from our wonderful local territory, in the heart of the Lariano Triangle, just a few kilometres from beautiful Lake Como.

In addition to the production line and assembly area dedicated to the ENERPOWER solutions, the new production unit in Albavilla (CO), Italy, which was fully completed in 2018, also houses the entire line dedicated to the E COR range, which has been fully integrated and customised for ETA, in keeping with the Industry 4.0 requirements.

A major investment, which stands out thanks to its extraordinary process flexibility and innovative technology. These are the cornerstones of the project, the final goal of which is to offer the customer the possibility of selecting a standard product or a customised product with specific dimensions defined down to the millimetre. The system is not protected by a simple laser barrier, but by the **Barrier of ETA's Knowledge**.

It was inspired by Trajan's Column. Symbols representing our arts are depicted on the walls like an epigraph, a modern day endeavour for the future. Because inside there's more than just technology... there's people, knowledge, and the expertise of over 40 years of activity in the Enclosure manufacturing sector.

Tell us about your requirements, and ETA will come up with a solution tailored to meet your needs.



WELDING SYSTEM

MIG welding performed with specific programs for fast welding and weld puddle drop-through.

LASER SYSTEM

Fibre laser with autonomous raw material loading and unloading and processing cycle optimisation.

MACHINERY FOR STUDS WELDING

Semi-finished product handling robot.

BENDING SYSTEM

4-station bending system.

WELDING SYSTEM

Laser welding carried out by two parallel components.



e cor

MORE THAN A SIMPLE ENCLOSURE...



A TREASURE CHEST OF TECHNICAL FEATURES AND PASSION



SIZE RANGE

STANDARD: from **200 x 300 x 150** to **1200 x 1200 x 300**

CUSTOM: from **300 x 300 x 120** to **800 x 1200 x 300** with production "to the millimetre" (maximum depth. 350: 600 x 1000 x 350) with metric or imperial units of measure.



PERSONALISATIONS

Type and colour of the finish: textured, smooth, polyester, epoxy-polyester, RAL, ANSI, MUNSELL.

Special finishing cycles: specific powder coatings for outdoor applications, increased thicknesses, dual colour (interior/exterior).

Machining and Louvres.

Stud bolts.

Accessory installation.

Silicone gasket.

Thermal calculation.

Ad hoc projects.



DO YOU USE "ST" ENCLOSURES?

WE'VE TAKEN SIZE COMPATIBILITY FOR YOUR PROJECTS INTO ACCOUNT.

Dimensions and plate fixing hole centre distances unchanged.

External casing dimensions unchanged.

Wall mounting hole centre distances unchanged.



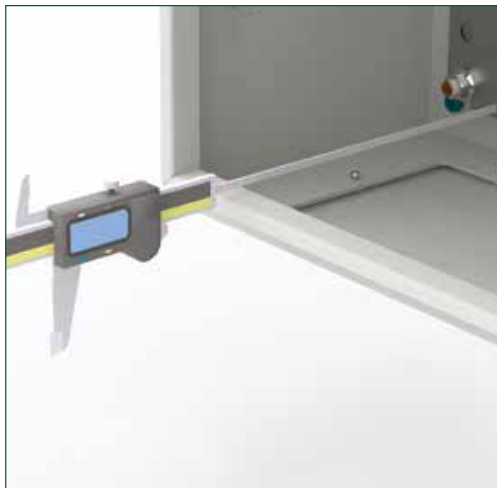
CREATED WITH PASSION



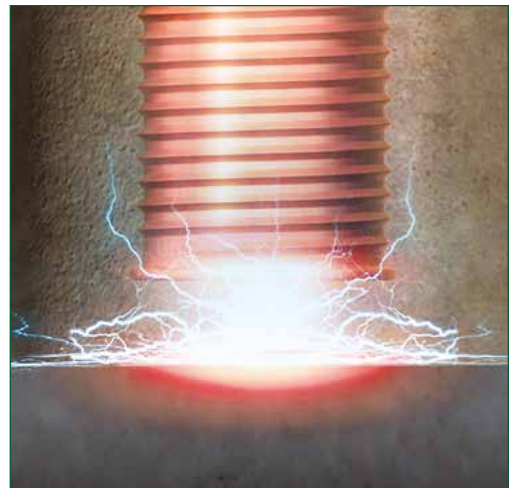
Side-by-side Mounting with simultaneous opening of the adjacent doors.

eCOR

DISCOVER THE E COR ADVANTAGES



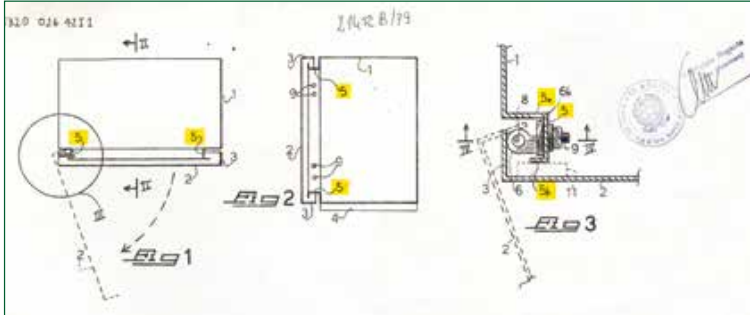
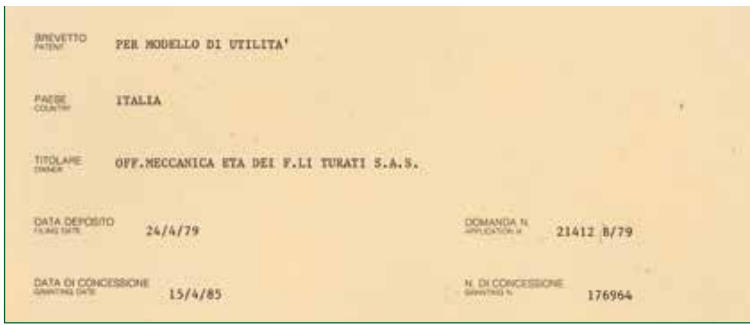
Increased interior capacity thanks to the additional 7 mm in depth.



New short arc welding technology for stud bolts.



Trilobular M5 mounting screws.



Technology is a set of tools, techniques, means and skills that allow us to put a design idea into practice and create a product with certain characteristics. Doing research means selecting the best of many ideas. Sometimes, the best idea is not the most recent, but was thought of some time ago.

THAT'S WHY AN IDEA FROM 1979 COULD, 40 YEARS LATER, STILL BE THE BEST PERFORMING...

The new E COR range was originally patented by ETA in 1979, when the enclosure concept included a structured fold of the enclosure and a patented hinge system.

e COR RESEARCH AND TECHNOLOGY



The enclosure has a structured fold with an 80° inclination for greater structural rigidity, which is particularly noticeable on large dimensions.



Guaranteed higher IP protection (proven by in-house tests and certification bodies).

Structured fold of the housing with an 80° inclination for greater rigidity of the fold angle and minimisation of any damage to the polyurethane seal.





New functional system for installing interior accessories: universal brackets with simple fastening under the hinges.

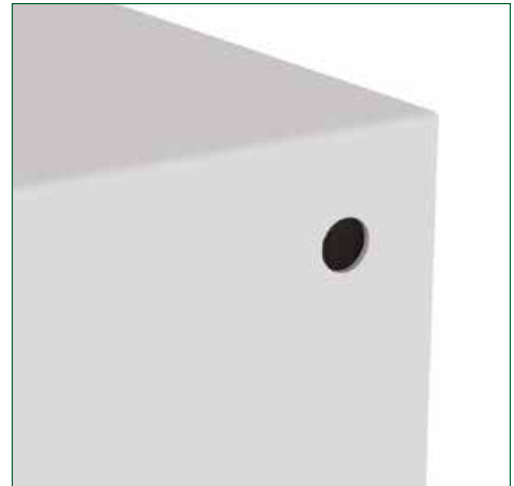


Universal functional frame for internal door or modular chassis installation.

HOUSING



New wall mounting system with expansion nut and easy fastening from the outside the box.



Wiring support, creation of an internal structure and depth adjustment of the accessories at 25 mm intervals thanks to the universal cross-pieces (with front fastening to the universal brackets).



Protective canopy compatible with pole mounting, easy to install thanks to the new concept.



Markings (removable with appropriate product) to facilitate wiring.
 • Except for: 200x300, 250x300, W ≥ 1000 mm.

MOUNTING PLATE

LOCKING SYSTEM



Rapid Plate installation thanks to the slotted plate design and stud bolts with integrated spacers.

Locking system with quick installation, 1/4 turn and metal insert. Available in standard ocean blue or black.

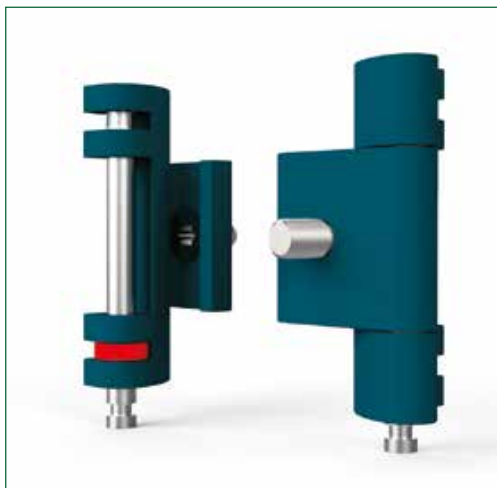


Reversible front door with welded reinforcement profiles. Transparent door supplied in tempered glass.

FRONT DOOR



New concept and shape for pressed steel hinges.



New design for 180° hinges painted in smooth RAL5020; possibility of installation without machining the door.

CODING

NEW CODING SYSTEM

Enclosure with standard dimensions as per the catalogue

EC030415.P.0001

EC range of the E COR product

03 width

04 height

15 depth

.P possible product version

.0001

possible progressive number identifying the special processing for the customer (generated by ETA upon order confirmation)

Enclosure with special dimensions not included in the catalogue (code generated by ETA)

EC.00100.P.0001

EC range of the E COR product

.00100 progressive number identifying the special dimensions for the customer (generated by ETA upon order confirmation)

.P possible product version (generated by ETA upon order confirmation)

.0001 progressive number identifying the special processing for the customer (generated by ETA upon order confirmation)

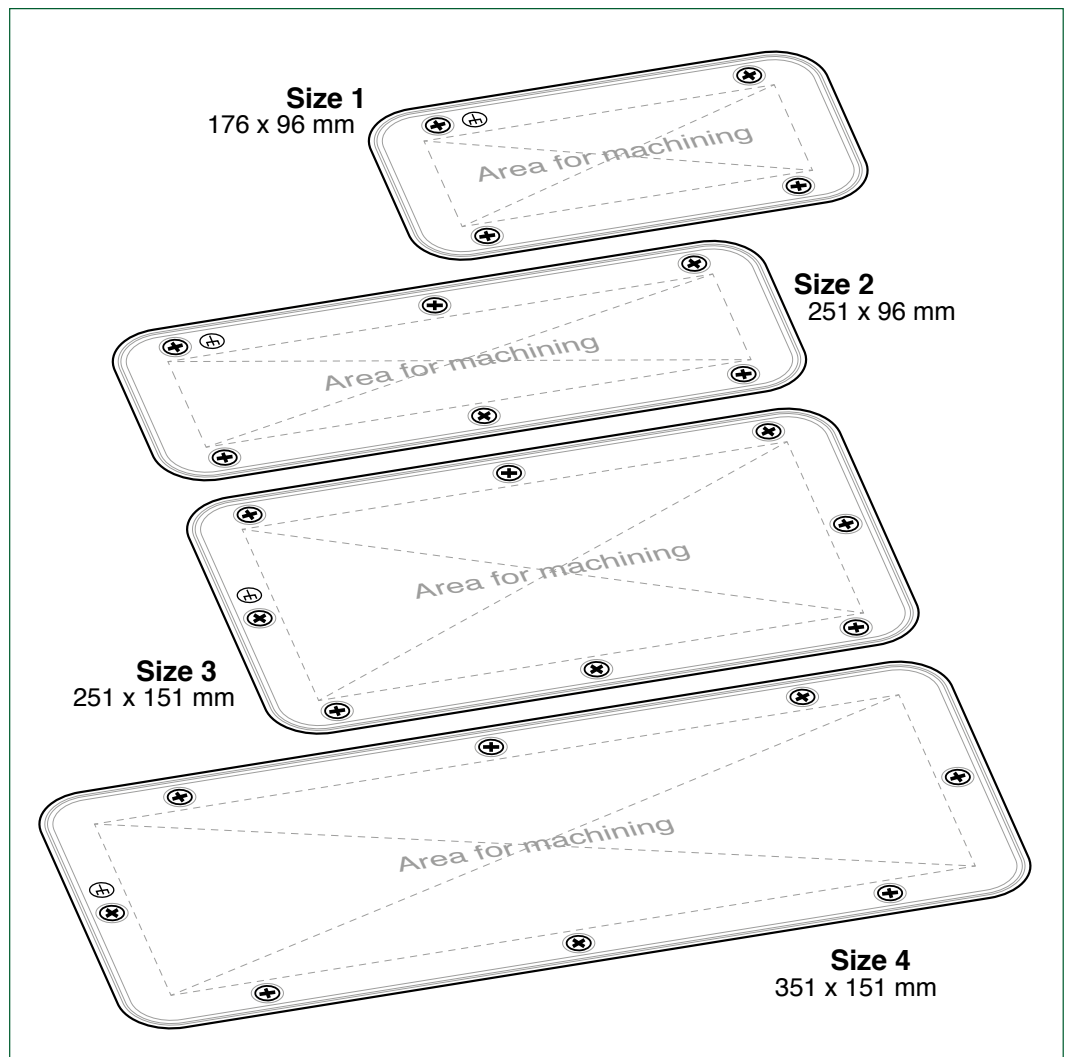


Enlarged opening and non funnel-shaped cable entry.



Bordered flange, fitted with a polyurethane gasket for increased strength and protection.

CABLE ENTRY



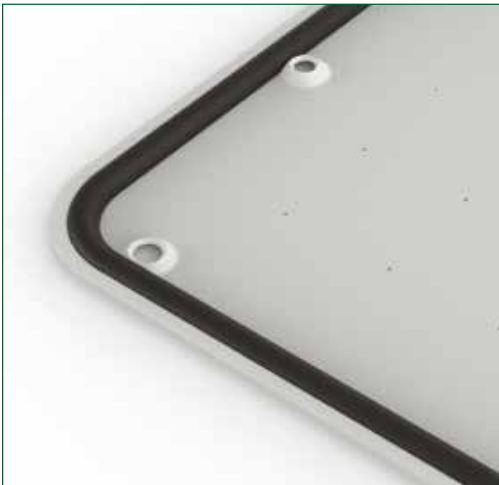
4 flange sizes and double flange for $L \geq 600$.



Lower total flange+screw protrusion than previous version.



Conductive earth flange with single screw (identified with marking).



Engravings to the mounting plate to assist the user with mounting plate sizing information.

CREATION OF ETA NEXT, ETA'S RESEARCH CENTRE TO CREATE THE PRODUCTS THAT ARE STILL TO COME





CHARACTERISTICS AND COMPOSITION

Housing made from sheet steel with a thickness of 15/10 (12/10 for H up to 150 mm). Reversible door made from sheet steel with a thickness of 15/10 to 20/10 based on the dimensions, with \varnothing 3 mm double Bit locking system and 2 profiles (welded and painted). Mounting plate made from sendzimir steel with a thickness of 20/10 to 25/10 based on the dimensions. Cable entry closure flange (with polyurethane gasket) made from sheet steel. Set of screws for grounding and assembly.

PAINTING

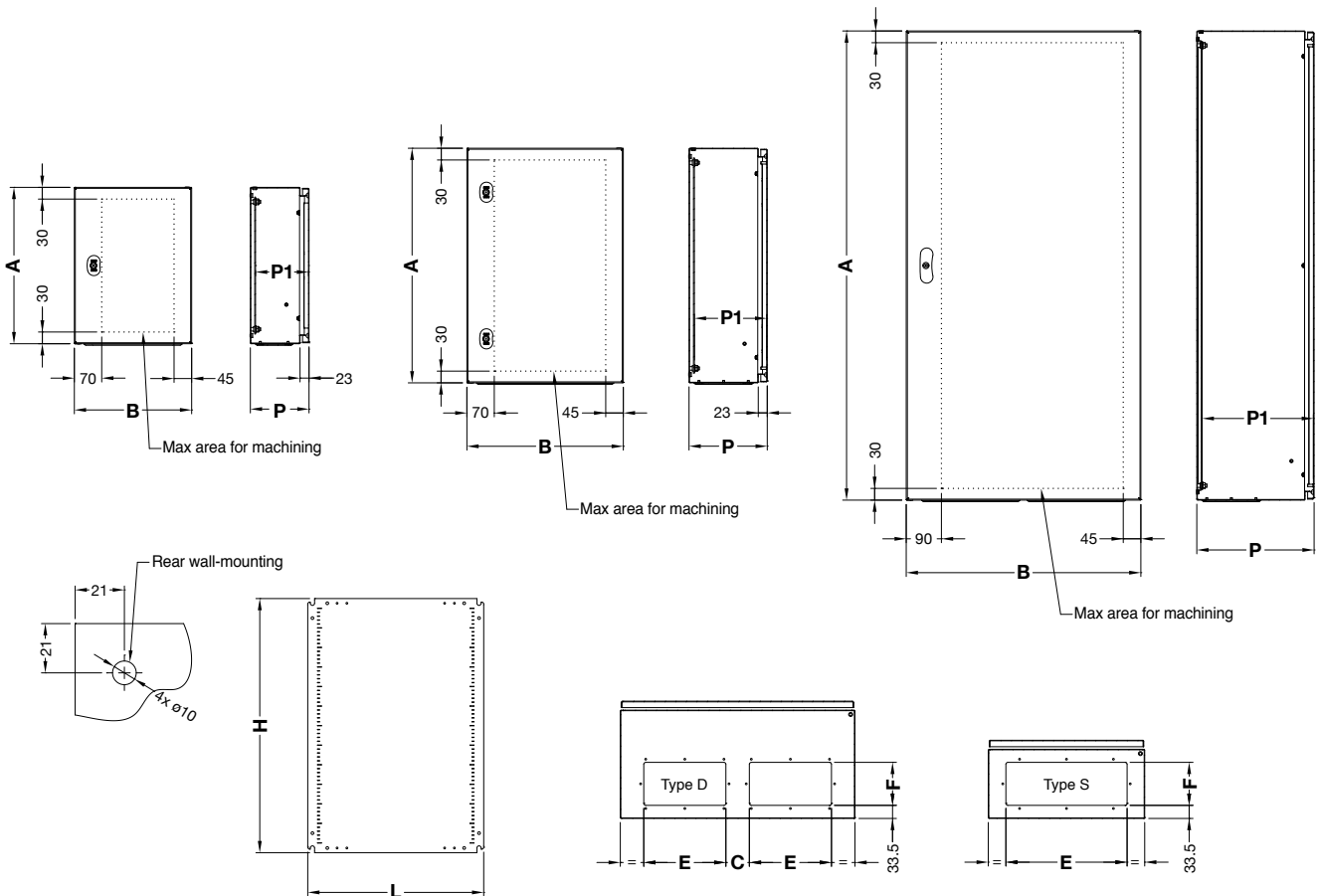
E DUP - cathodic electrophoresis paint with epoxy resin and finish with thermosetting epoxy-polyester powders for ETA standard electrostatic cycle. Colour: RAL7035 textured.

PROTECTION RATING

IP66 compliant with IEC EN62208 and EN60529.
NEMA4 compliant with UL508A and UL50.
Protection rating ensured by the two-component polyurethane foam gasket.
Impact resistance rating IK10 in compliant with IEC EN62208 and EN62262.

eCOR

ENCLOSURE WITH SINGLE SOLID DOOR



Markings (removable with appropriate product) to facilitate wiring.
• Except for: 200x300, 250x300, $W \geq 1000$ mm.





PROTECT YOUR PLANTS

ORDERING CODES AND DIMENSIONS

PRODUCT CODE	ENCLOSURE					CABLE ENTRY				MOUNTING PLATE	
	B	A	P	P1	TYPE/NO.	E	F	C	TYPE	L	H
EC020315	200	300	150	135	Box/1	135	55	-	S	150	250
EC025315	250	300	150	135	Box/1	135	55	-	S	200	250
EC030315	300	300	150	135	Box/1	210	55	-	S	250	250
EC030320	300	300	200	185	Box/1	210	110	-	S	250	250
EC030415	300	400	150	135	Box/1	210	55	-	S	250	350
EC030420	300	400	200	185	Box/1	210	110	-	S	250	350
EC030515	300	500	150	135	Box/1	210	55	-	S	250	450
EC030520	300	500	200	185	Box/1	210	110	-	S	300	450
EC040315	400	300	150	135	Box/1	210	55	-	S	350	250
EC040320	400	300	200	185	Box/1	310	110	-	S	350	250
EC040420	400	400	200	185	Box/1	310	110	-	S	350	350
EC040515	400	500	150	135	Box/1	210	55	-	S	350	450
EC040520	400	500	200	185	Box/1	310	110	-	S	350	450
EC040525	400	500	250	235	Box/1	310	110	-	S	350	450
EC040620	400	600	200	185	Box/2	310	110	-	S	350	550
EC040625	400	600	250	235	Box/2	310	110	-	S	350	550
EC040630	400	600	300	285	Box/2	310	110	-	S	350	550
EC040635	400	600	350	335	Box/2	310	110	-	S	350	550
EC040640	400	600	400	385	Box/2	310	110	-	S	350	550
EC050520	500	500	200	185	Box/1	310	110	-	S	450	450
EC050525	500	500	250	235	Box/1	310	110	-	S	450	450
EC050530	500	500	300	285	Box/1	310	110	-	S	450	450
EC050615	500	600	150	135	Box/1	210	55	-	S	450	550
EC050720	500	700	200	185	Box/2	310	110	-	S	450	650
EC050725	500	700	250	235	Box/2	310	110	-	S	450	650
EC060420	600	400	200	185	Box/1	210	110	60	D	550	350
EC060430	600	400	300	285	Box/1	210	110	60	D	550	350
EC060620	600	600	200	185	Box/2	210	110	60	D	550	550
EC060625	600	600	250	235	Box/2	210	110	60	D	550	550
EC060630	600	600	300	285	Box/2	210	110	60	D	550	550
EC060635	600	600	350	335	Box/2	210	110	60	D	550	550
EC060640	600	600	400	385	Box/2	210	110	60	D	550	550
EC060820	600	800	200	185	Box/2	210	110	60	D	550	750
EC060825	600	800	250	235	Box/2	210	110	60	D	550	750
EC060830	600	800	300	285	Box/2	210	110	60	D	550	750
EC060835	600	800	350	335	Box/2	210	110	60	D	550	750
EC060840	600	800	400	385	Box/2	210	110	60	D	550	750
EC061025	600	1000	250	235	Box/2	210	110	60	D	550	950
EC061030	600	1000	300	285	Box/2	210	110	60	D	550	950
EC061035	600	1000	350	335	Box/2	210	110	60	D	550	950
EC061040	600	1000	400	385	Box/2	210	110	60	D	550	950
EC061230	600	1200	300	285	Latch	210	110	60	D	550	1150
EC080830	800	800	300	285	Box/2	310	110	60	D	750	750
EC080840	800	800	400	385	Box/2	310	110	60	D	750	750
EC081025	800	1000	250	235	Box/2	310	110	60	D	750	950
EC081030	800	1000	300	285	Box/2	310	110	60	D	750	950
EC081040	800	1000	400	385	Box/2	310	110	60	D	750	950
EC081230	800	1200	300	285	Latch	310	110	60	D	750	1150
EC081240	800	1200	400	385	Latch	310	110	60	D	750	1150



ATEX CERTIFIED SOLUTIONS





CHARACTERISTICS AND COMPOSITION

Housing made from sheet steel with a thickness of 15/10 (12/10 for H up to 150 mm). Reversible door made from sheet steel with a thickness of 15/10 to 20/10 based on the dimensions, with \varnothing 3 mm double Bit locking system and transparent tempered glass with a thickness of 4 mm. Mounting plate made from sendzimir steel with a thickness of 20/10 to 25/10 based on the dimensions. Cable entry closure flange (with polyurethane gasket) made from sheet steel. Set of screws for grounding and assembly.

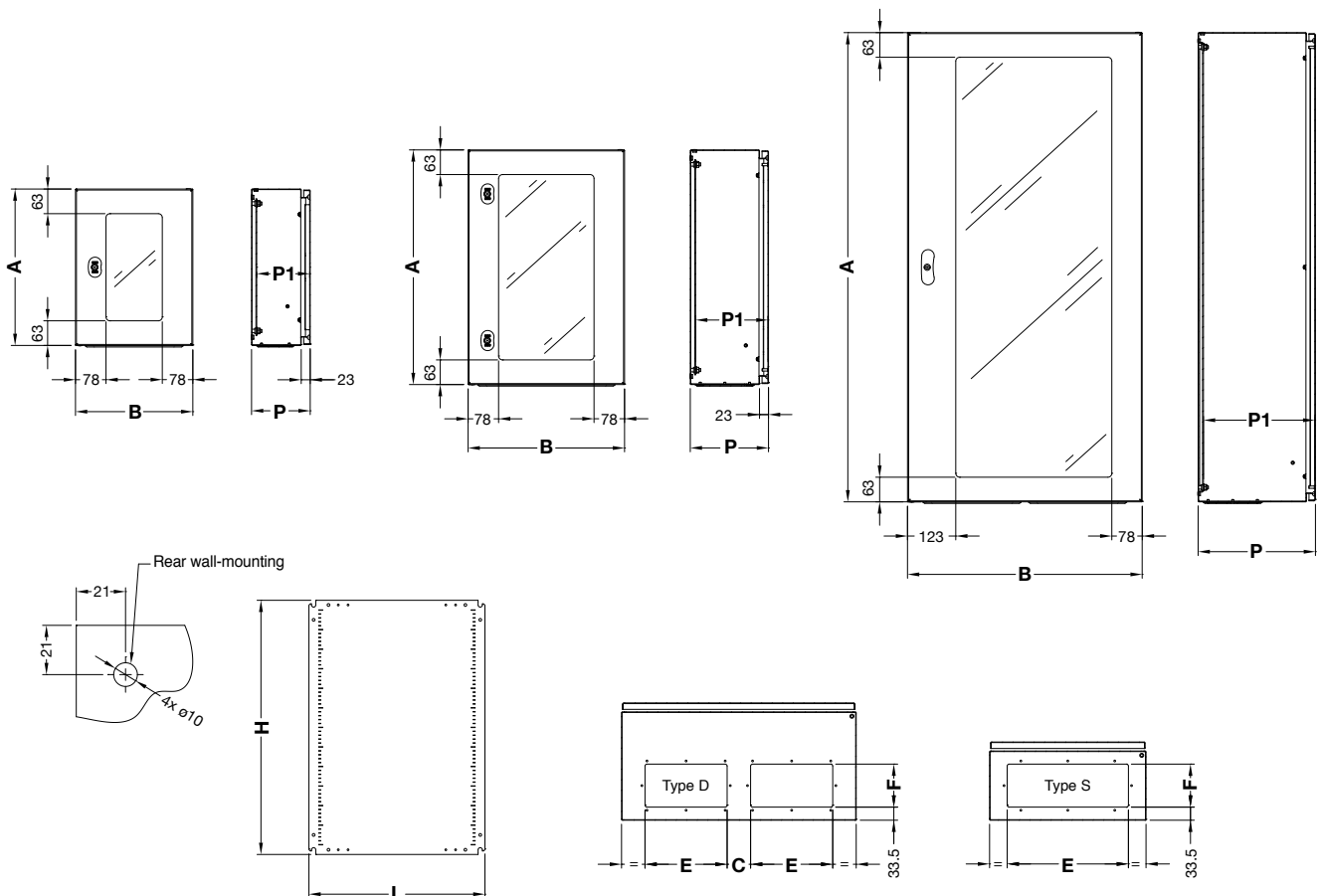
PAINTING

E DUP - cathodic electrophoresis paint with epoxy resin and finish with thermosetting epoxy-polyester powders for ETA standard electrostatic cycle. Colour: RAL7035 textured.

PROTECTION RATING

IP66 compliant with IEC EN62208 and EN60529.
NEMA12 compliant with UL508A and UL50.
Protection rating ensured by the two-component polyurethane foam gasket
Impact resistance rating IK10 in compliant with IEC EN62208 and EN62262.

eCOR ENCLOSURE WITH TRANSPARENT DOOR



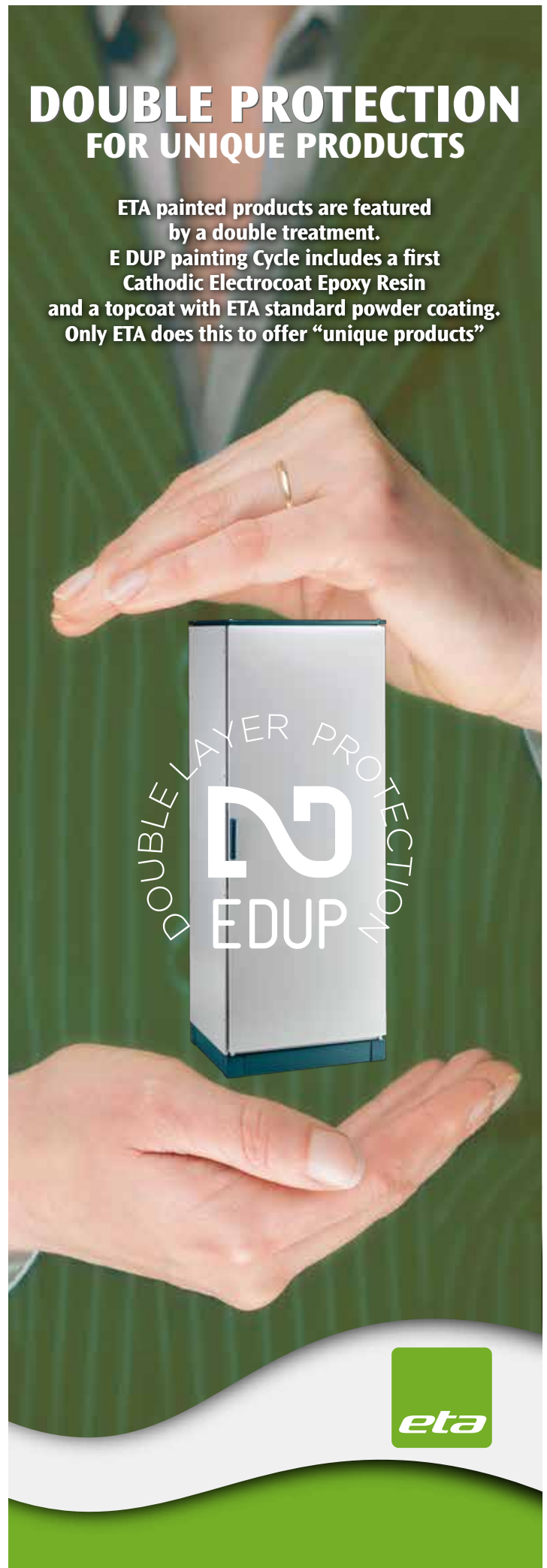
Markings (removable with appropriate product) to facilitate wiring.
• Except for: 200x300, 250x300, W \geq 1000 mm.

DOUBLE PROTECTION FOR UNIQUE PRODUCTS

ETA painted products are featured by a double treatment.
E DUP painting Cycle includes a first Cathodic Electrocoat Epoxy Resin and a topcoat with ETA standard powder coating.
Only ETA does this to offer “unique products”

ORDERING CODES AND DIMENSIONS

PRODUCT CODE	ENCLOSURE					CABLE ENTRY				MOUNTING PLATE	
	B	A	P	P1	TYPE/NO.	E	F	C	TYPE	L	H
EC040320.P	400	300	200	185	Box/1	310	110	-	S	350	250
EC040420.P	400	400	200	185	Box/1	310	110	-	S	350	350
EC040520.P	400	500	200	185	Box/1	310	110	-	S	350	450
EC040525.P	400	500	250	235	Box/1	310	110	-	S	350	450
EC040620.P	400	600	200	185	Box/2	310	110	-	S	350	550
EC040625.P	400	600	250	235	Box/2	310	110	-	S	350	550
EC050720.P	500	700	200	185	Box/2	310	110	-	S	450	650
EC050725.P	500	700	250	235	Box/2	310	110	-	S	450	650
EC060420.P	600	400	200	185	Box/1	210	110	60	D	550	350
EC060620.P	600	600	200	185	Box/2	210	110	60	D	550	550
EC060630.P	600	600	300	285	Box/2	210	110	60	D	550	550
EC060825.P	600	800	250	235	Box/2	210	110	60	D	550	750
EC060830.P	600	800	300	285	Box/2	210	110	60	D	550	750
EC061030.P	600	1000	300	285	Box/2	210	110	60	D	550	950
EC061230.P	600	1200	300	285	Latch	210	110	60	D	550	1150
EC080830.P	800	800	300	285	Box/2	310	110	60	D	750	750
EC081030.P	800	1000	300	285	Box/2	310	110	60	D	750	950
EC081230.P	800	1200	300	285	Latch	310	110	60	D	750	1150





CHARACTERISTICS AND COMPOSITION

Housing made from sheet steel with a thickness of 15/10.
 Doors made from sheet steel with a thickness of 15/10 with \varnothing 3 mm double Bit locking system and 4 profiles (welded and painted).
 Mounting plate made from sendzimir steel with a thickness of 25/10.
 Cable entry closure flanges (with polyurethane gasket) made from sheet steel.
 Set of screws for grounding and assembly.

PAINTING

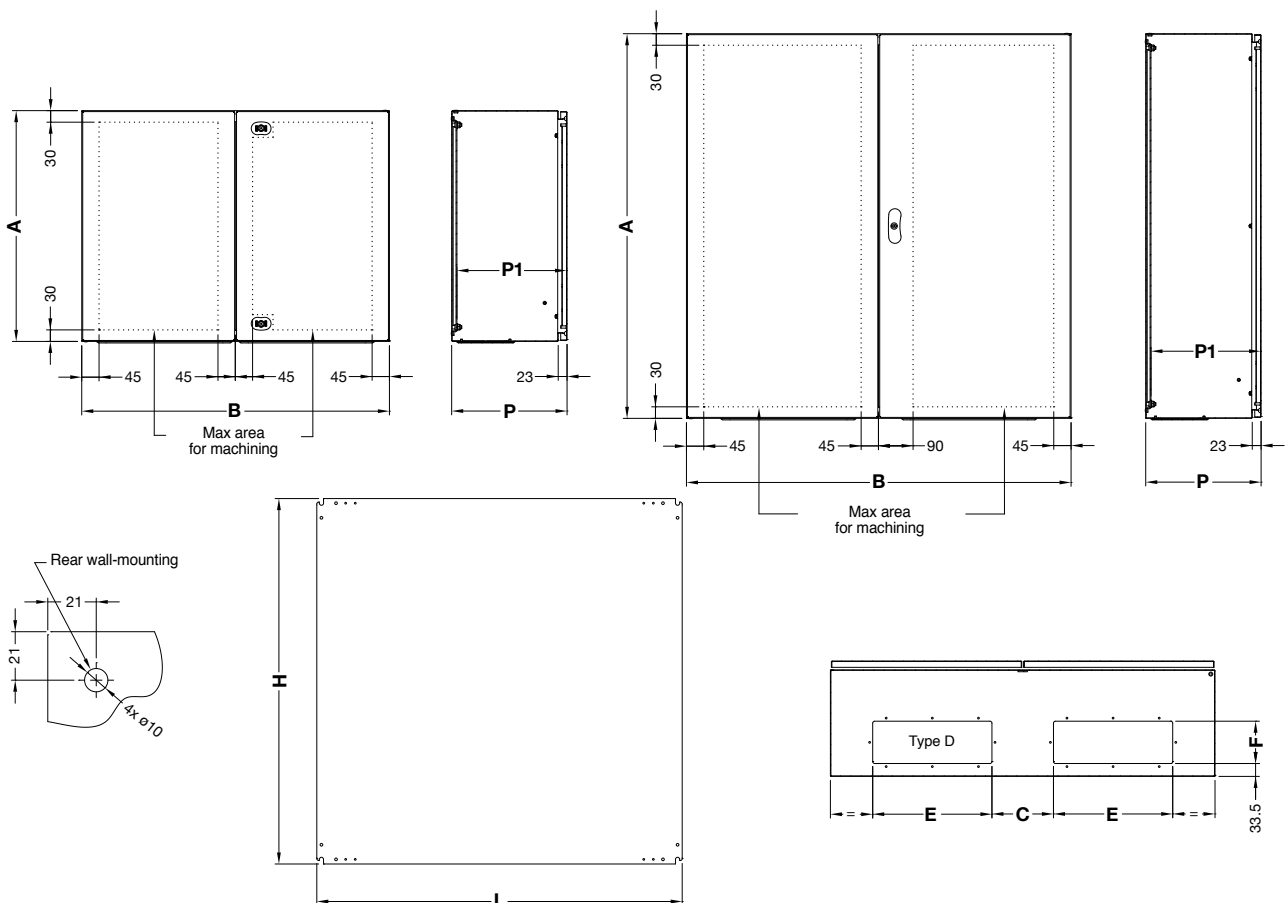
E DUP - cathodic electrophoresis paint with epoxy resin and finish with thermosetting epoxy-polyester powders for ETA standard electrostatic cycle.
 Colour: RAL7035 textured.

PROTECTION RATING

IP66 compliant with IEC EN62208 and EN60529.
 NEMA12 compliant with UL508A and UL50 (except EC121230).
 Protection rating ensured by the two-component polyurethane foam gasket
 Impact resistance rating IK10 in compliant with IEC EN62208 and EN62262.

eCOR

ENCLOSURE WITH DOUBLE SOLID DOOR



PRODUCT CODE	ENCLOSURE					CABLE ENTRY				MOUNTING PLATE	
	B	A	P	P1	TYPE/NO.	E	F	C	TYPE	L	H
EC080630	800	600	300	285	Box/2	310	110	60	D	750	550
EC100820	1000	800	200	185	Box/2	310	110	160	D	950	750
EC100830	1000	800	300	285	Box/2	310	110	160	D	950	750
EC101030	1000	1000	300	285	Latch	310	110	160	D	950	950
EC101230	1000	1200	300	285	Latch	310	110	160	D	950	1150
EC121030	1200	1000	300	285	Latch	310	110	260	D	1150	950
EC121230	1200	1200	300	285	Latch	310	110	260	D	1150	1150

Markings (removable with appropriate product) to facilitate wiring.

- Except for: 200x300, 250x300, W \geq 1000 mm.





The UBC (Uniform Building Code), which establishes that the various areas of buildings must be divided into zones with an increasing degree of severity (zone 4 = high risk), is used to assess the performance of enclosures installed in areas with a high seismic risk.

For the purpose of carrying out conformity tests, this is followed by testing to American Bellcore standard, used as a reference in the sector. Thanks to the collaboration with CESI, a pseudo-static study has been carried out on the maximum dimension W 800 x H 1200 x D 300 mm of an E COR box with a single door (maximum dimension) made of DC01 carbon steel sheet, to evaluate its performance in zones 1-2, 3 and 4.



e COR

SOLUTIONS WITH ANTI-SEISMIC DESIGN

The tests were completed successfully, and we can therefore assume that all E COR boxes with single blind doors with dimensions less than W 800 x H 1200 x D 300 mm and having the following characteristics can be used in zones 1-2, 3, 4 with high seismic risk:

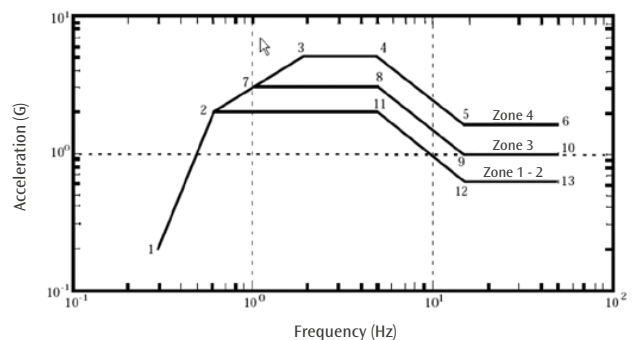
	ZONE 1 - 2	ZONE 3	ZONE 4
WALL-MOUNTING SYSTEM	SDWCX - 011 (stainless steel AISI316L)	SDWCX - 011 (stainless steel AISI316L)	SDWCX - 011 (stainless steel AISI316L)
P.A. PLATE LOAD LIMIT	600 Newtons	600 Newtons	600 Newtons
VARIATION IN P.A. PLATE MOUNTING		2 additional central stud bolts	2 additional central stud bolts
VARIATION ENCLOSURE SHEET THICKNESS			E COR enclosure carbon sheet steel thickness = 18/10

SEISMIC ANALYSES

The seismic analyses were performed using an equivalent static procedure (i.e. applying static loads whose effect is equivalent to the dynamic load defined by the Required Response Spectra RSS from Ref. [1]).

The equivalent static loads were calculated following the IBC procedure (Ref. [2]), but replacing the MCE spectral response mapped with the RSS indicated in the document Telcordia GR-63-CORE (from Ref. [1]).

The maximum spectral accelerations S , for the short term (0.2 s \rightarrow 5.0 Hz) and the maximum spectral accelerations S_1 , for the long term (1.0 s \rightarrow 1.0 Hz) were read directly from the RRS spectrum (see graph) for the different seismic zones.





CHARACTERISTICS AND COMPOSITION

Sheet steel housing without cable entry, with external, welded, anti-rotation and anti-extraction M6 stud bolt (H = 15 mm) in copper-coated steel. Reversible door in sheet steel with \varnothing 3 mm double fin locking system (box and insert in zinc alloy, tab in stainless steel). Mounting plate made from sendzimir sheet steel. Set of screws for grounding and assembly.

PAINTING

E DUP - cathodic electrophoresis paint with epoxy resin and finish with thermosetting epoxy-polyester powders for ETA standard electrostatic cycle. Colour: RAL7035 textured.

PROTECTION RATING

IP66 compliant with IEC EN62208 and EN60529. NEMA4 compliant with UL508A; UL50. Protection rating ensured by the two-component polyurethane foam gasket. Impact resistance rating IK10 compliant with IEC EN62208 and EN62262.

PERFORMANCE

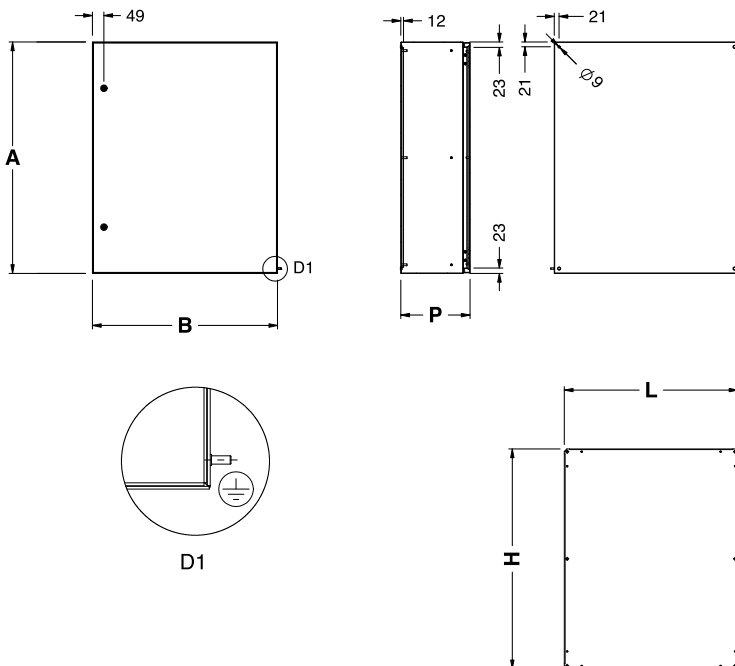
Ex II 2G - Ex e IIC Gb - Ex II 2GD - Ex tb IIIC Db.

st

ELECTRICAL HOUSING SOLID DOOR



ATEX COMPLIANT



PRODUCT CODE	ENCLOSURE			TYPE/NO.	MOUNTING PLATE	
	B	A	P		L	H
ST2315EE	200	300	150	Box/1	150	250
ST3315EE	300	300	150	Box/1	250	250
ST3415EE	300	400	150	Box/1	250	350
ST3420EE	300	400	200	Box/1	250	350
ST3515EE	300	500	150	Box/1	250	450
ST3520EE	300	500	200	Box/1	300	450
ST4315EE	400	300	150	Box/1	350	250
ST4320EE	400	300	200	Box/1	350	250
ST4420EE	400	400	200	Box/1	350	350
ST4515EE	400	500	150	Box/1	350	450
ST4520EE	400	500	200	Box/1	350	450
ST4525EE	400	500	250	Box/1	350	450
ST4620EE	400	600	200	Box/2	350	550
ST4625EE	400	600	250	Box/2	350	550
ST4640EE	400	600	400	Box/2	350	550
ST5520EE	500	500	200	Box/1	450	450
ST5720EE	500	700	200	Box/2	450	650
ST5725EE	500	700	250	Box/2	450	650
ST6420EE	600	400	200	Box/1	550	350
ST6430EE	600	400	300	Box/1	550	350
ST6620EE	600	600	200	Box/2	550	550
ST6630EE	600	600	300	Box/2	550	550
ST6640EE	600	600	400	Box/2	550	550
ST6820EE	600	800	200	Box/2	550	750
ST6825EE	600	800	250	Box/2	550	750
ST6830EE	600	800	300	Box/2	550	750
ST6840EE	600	800	400	Box/2	550	750
ST61025EE	600	1000	250	Box/2	550	950
ST61030EE	600	1000	300	Box/2	550	950
ST61040EE	600	1000	400	Box/2	550	950
ST61230EE	600	1200	300	Latch	550	1150
ST8830EE	800	800	300	Box/2	750	750
ST8840EE	800	800	400	Box/2	750	750
ST81030EE	800	1000	300	Box/2	750	950
ST81040EE	800	1000	400	Box/2	750	950
ST81230EE	800	1200	300	Latch	750	1150

SOLUTION CREATED WITH ST CONSTRUCTION CONCEPT





CHARACTERISTICS AND COMPOSITION

Housing made from sendzimir sheet steel with a thickness of 15/10 painted externally only, without cable entry.
 Reversible door made from sendzimir sheet steel with a thickness of 15/10 to 20/10 based on the dimensions, and painted externally only, with \varnothing 3 mm double Bit locking system (box and insert in zinc alloy, stainless steel tab) and conductive and shielding gasket.
 Mounting plate made from galvanised steel with a thickness of 20/10 to 25/10 based on the dimensions.
 Set of screws for grounding and assembly.

PAINTING

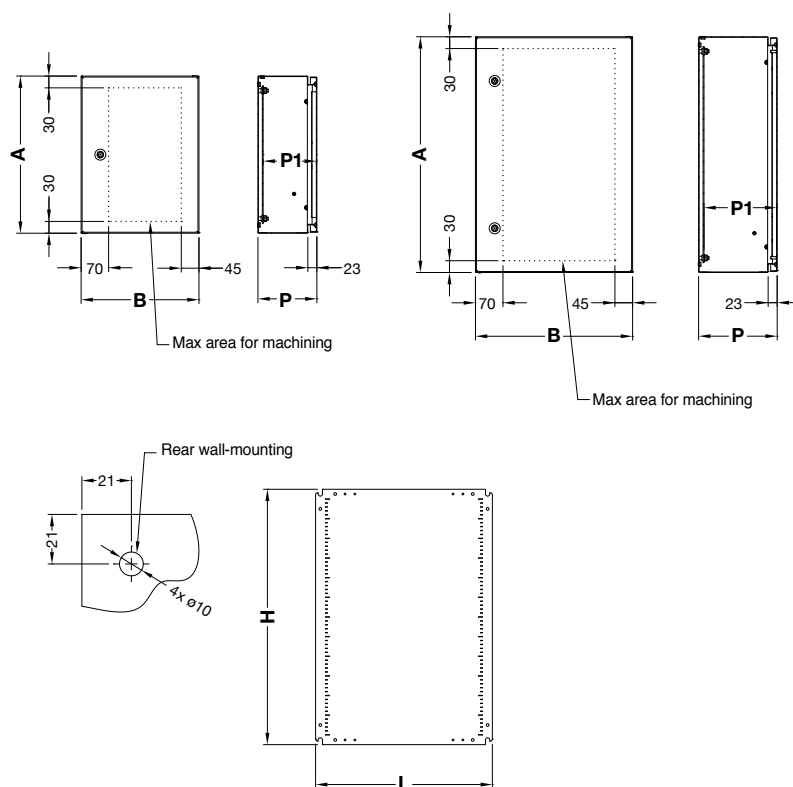
E DUP - cathodic electrophoresis paint with epoxy resin and finish with thermosetting epoxy-polyester powders for ETA standard electrostatic cycle. Colour: RAL7035 textured. External paint only.

PROTECTION RATING

NEMA1 compliant with UL508A and UL50.

eCOR

EMC VERSION ENCLOSURE



EMC FOCUS

The Electromagnetic Compatibility Directive applies to active components that emit/receive electromagnetic waves and that can create disturbances, thus altering the functionality of the electronic equipment installed inside the panels.

The provisions of the Directive do not apply to ETA products because they aren't a source of electromagnetic waves, but they can act as a barrier for the waves generated by their internal and external sources. This provides for a considerable attenuation of the electromagnetic field's intensity, and, consequently, the disturbance that it causes to the equipment.

PRODUCT CODE	ENCLOSURE					MOUNTING PLATE	
	B	A	P	P1	TYPE/NO.	L	H
EC040420.E	400	400	200	185	Box/1	350	350
EC040620.E	400	600	200	185	Box/2	350	550
EC060630.E	600	600	300	285	Box/2	550	550



**COMPLETE
YOUR SOLUTION
WITH
THE WIDE
RANGE OF
COMPLEMENTARY
E COR
ACCESSORIES**



e COR

MODULAR CHASSIS AND INTERNAL DOOR

**DOOR
ACCESSORIES**



E COR ENCLOSURE		CHASSIS WITH UNIVERSAL FUNCT. FRAME, PANELS AND DIN RAILS		BLANK PANEL (2 PCS)			INTERNAL DOOR			
B	A	PROD. CODE	FUNCT. CHARACTER.	PROD. CODE	WIDTH	HEIGHT	PROD. CODE	WIDTH	HEIGHT	TYPE/NO.
400	300	ECMI040030	1 row x 16 DIN modules				-	-	-	-
400	400	ECMI040040	2 rows x 16 DIN modules	ECAV040015	345	147	-	-	-	-
400	500	ECMI040050	3 rows x 16 DIN modules				ECPI040050	340	446	Box / 1
400	600	ECMI040060	3 rows x 16 mod. DIN				ECPI040060	340	546	Box / 2
500	700	ECMI050070	4 file x 21 DIN modules	ECAV050015	445	147	ECPI050070	440	646	Box / 2
600	400	ECMI060040	2 rows x 26 mod. DIN				ECPI060040	540	346	Box / 1
600	600	ECMI060060	3 rows x 26 DIN modules				-	-	-	-
600	800	ECMI060080	5 rows x 26 mod. DIN	ECAV060015	545	147	ECPI060080	540	746	Box / 2
600	1000	ECMI060100	6 rows x 26 DIN modules				ECPI060100	540	946	Box / 2
600	1200	ECMI060120	7 rows x 26 DIN modules				ECPI060120	540	1146	Box / 2
800	1000	ECMI080100	6 rows x 36 DIN modules	ECAV080015	745	147	ECPI080100	740	946	Box / 2
800	1200	ECMI080120	7 rows x 36 DIN modules				ECPI080120	740	1146	Box / 2

MODULAR FRONT WITH UNIVERSAL FUNCTIONAL FRAME, PANELS AND DIN RAILS

Internal frame made from sendzimir sheet steel complete with modular panels, DIN rails made from profiled sendzimir sheet steel and partitions H = 25 or 50 mm (if needed) made from sheet steel. Single piece complete with frame, modular panels, DIN guides, partitions, brackets and mounting accessories.

BLANK PANEL

Made from painted sheet steel.
Nr. 2 pieces complete with mounting accessories.

PAINTING

E DUP - cathodic electrophoresis paint with epoxy resin and finish with thermosetting epoxy-polyester powders for ETA standard electrostatic cycle. Colour: RAL7035 textured.



LOCKING SYSTEMS



INTERNAL DOOR

Internal frame made from galvanised sheet steel and panel made from sheet steel. Single piece complete with frame, hinges, locking system and mounting hardware.

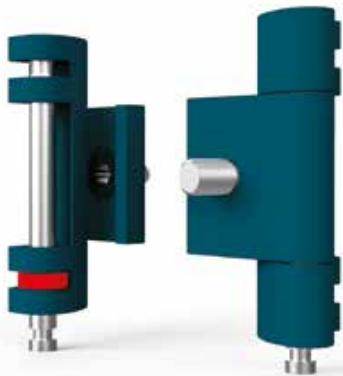
PAINTING

E DUP - cathodic electrophoresis paint with epoxy resin and finish with thermosetting epoxy-polyester powders for ETA standard electrostatic cycle. Colour: RAL7035 textured.

Wide range of locking systems and inserts for enclosures with one or two locking points or latches.
Standard lock cover*: RAL5020 with ETA logo.

* Black lock cover with ETA logo furnished standard for E COR enclosures with special finish.

E COR ENCLOSURE	CODE	DESCRIPTION	KEY CODE
WITH BOX LOCK	ECWE0001	COMPLETE BOX (RAL5020 BADGE WITH LOGO, METALLIC BOX WITH DOUBLE 3 mm FIN, PLASTIC TAB)	ECWE0002
	ECWE0003	COMPLETE BOX (RAL5020 BADGE WITHOUT LOGO, METALLIC BOX WITH DOUBLE 3 mm FIN, PLASTIC TAB)	ECWE0002
	ECWE0004	COMPLETE BOX (BLACK BADGE WITH LOGO, METALLIC BOX WITH DOUBLE 3 mm FIN, PLASTIC TAB)	ECWE0002
	ECWE0005	COMPLETE BOX (BLACK BADGE WITHOUT LOGO, METALLIC BOX WITH DOUBLE 3 mm FIN, PLASTIC TAB)	ECWE0002
	ECWE0006	VIRO (COMPLETE BOX BLACK WITH AGE LOGO AND WITH KEY)	–
	WE240	FIAT (COMPLETE BOX)	WE210
	WE260	6 mm SQUARE INSERT	WE263
	WE265	7 mm SQUARE INSERT	WE268
	WE270	6.5 mm TRIANGULAR INSERT	WE273
	WE275	8 mm TRIANGULAR INSERT	WE278
	WE285	SWIVEL T (WITH KEY)	–
WE288	WITH FINS (WITH KEY)	–	
WITH LATCH CLOSURE	ECWE0007	RAL5020 BADGE WITHOUT LOGO	–
	ECWE0008	BLACK BADGE WITHOUT LOGO	–
	WE010	ROD OPERATION	–
	WE080	FIAT	WE210
	WE030	DOUBLE 3 mm FIN INSERT	WE160
	WE040	DOUBLE 5 mm FIN INSERT	WE170
	WE050	7 mm TRIANGULAR INSERT	WE180
	WE060	8 mm TRIANGULAR INSERT	WE190
	WE070	7 mm SQUARE INSERT	WE200
	WE230	SWIVEL T WITH KEY	–



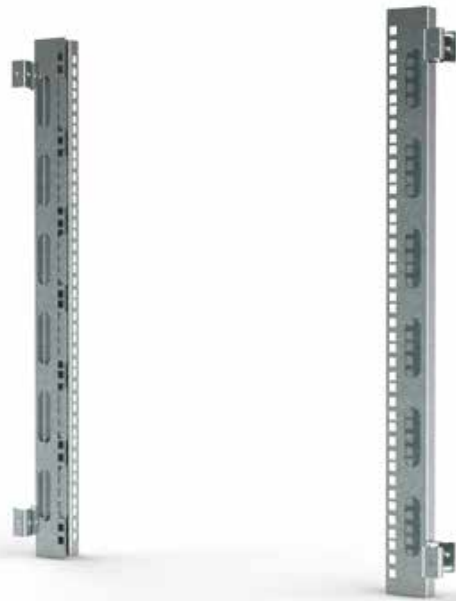
180° HINGES



ECCE0001

They allow the door to be opened to 180°.
Manufactured in smooth RAL5020 painted aluminium alloy.
Nr. 2 pieces complete with assembly accessories.

** For RAL9011 version, please order ECCE0002.*



19" RACK UPRIGHTS



Made from sendzimir sheet metal.
Nr. 2 pieces complete with mounting accessories.

E COR ENCLOSURE A	PRODUCT CODE	HE
300	ECMR0300	5
400	ECMR0400	8
500	ECMR0500	10
600	ECMR0600	12
700	ECMR0700	15
800	ECMR0800	17
1000	ECMR1000	21
1200	ECMR1200	26



DOOR CROSS-PIECE



Designed to facilitate the passage of cables or conduits.
Made from sendzimir sheet steel with a 25 mm drilling distance and \varnothing 4.5 mm holes to be made in the door's vertical profiles.
Nr. 10 pieces complete with mounting accessories.

E COR ENCLOSURE B	PRODUCT CODE
300	ECTP0300
400	ECTP0400
500	ECTP0500
600	ECTP0600
800	ECTP0800

DOOR STOP



ECWA0001

Allows the door to be mechanically stopped at 90°, 100° or 110° (complying to the machining on the housing), in order to prevent accidental closure.

Made from galvanised sheet steel.
Single piece complete with mounting accessories.

** Enclosure and door machining required: indicate when ordering if requested from the supplier.*



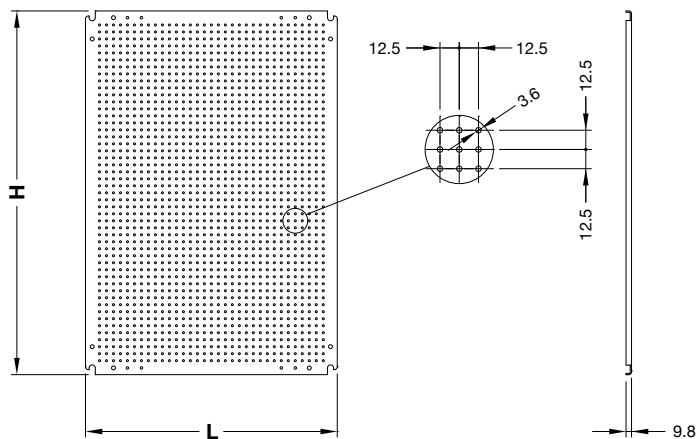
Made from sendzimir sheet steel with a thickness of 20/10 to 25/10 based on the dimensions. Individual piece.



eCOR

MOUNTING PLATE MICRO-PERFORATED

HOUSING ACCESSORIES



E COR ENCLOSURE		PLATE CHARACTERISTICS		
B	A	PRODUCT CODE	L	H
200	300	ECPF020030	150	250
250	300	ECPF025030	200	250
300	300	ECPF030030	250	250
300	400	ECPF030040	250	350
300	500	ECPF030050	250	450
400	300	ECPF040030	350	250
400	400	ECPF040040	350	350
400	500	ECPF040050	350	450
400	600	ECPF040060	350	550
500	500	ECPF050050	450	450
500	600	ECPF050060	450	550
500	700	ECPF050070	450	650
600	400	ECPF060040	550	350
600	600	ECPF060060	550	550
600	800	ECPF060080	550	750
600	1000	ECPF060100	550	950
600	1200	ECPF060120	550	1150
800	600	ECPF080060	750	550
800	800	ECPF080080	750	750
800	1000	ECPF080100	750	950
800	1200	ECPF080120	750	1150
1000	800	ECPF100080	950	750
1000	1000	ECPF100100	950	950
1000	1200	ECPF100120	950	1150
1200	1000	ECPF120100	1150	950
1200	1200	ECPF120120	1150	1150



MOUNTING PLATE ADJUST. BRACKET



ECRP0001

Allows for 25 mm adjustment of the mounting plate.
Made from sendzimir sheet steel.
Nr. 10 pieces complete with mounting accessories.

** ECTU deep crosspieces are necessary for installation, and must be ordered separately.*

CROSS-PIECES WITH UNIV. DEPTH



New universal accessory for internal accessory depth adjustment at 25 mm intervals.
Made from sendzimir sheet steel.
Nr. 4 pieces complete with mounting accessories.

** Direct mounting on the universal accessory installation brackets. No need to machine the enclosure or weld additional stud bolts.*

E COR ENCLOSURE P	PRODUCT CODE
150	ECTU0150
200	ECTU0200
250	ECTU0250
300	ECTU0300
350	ECTU0350
400	ECTU0400



MICRO-SWITCH



ECMC0001

Compliant with the IEC337-VDE0660 standards.
Single piece complete with micro-switch and fastening brackets.



POLE MOUNTING KIT



ECFP0001

For fastening the E COR enclosure to a pole with a round or rectangular cross-section. Cross-piece in galvanised sheet steel and collar clamp. Nr. 2 cross-pieces and nr. 2 clamps complete with mounting accessories.



PROTECTIVE CANOPY



Particularly suitable for outdoor installations, where additional protection against atmospheric agents is required. Made from sheet steel. Single piece complete with mounting accessories.

PAINTING

E DUP - cathodic electrophoresis paint with epoxy resin and finish with thermosetting epoxy-polyester powders for ETA standard electrostatic cycle. Colour: RAL7035 textured.

* Enclosure machining required: indicate when ordering if requested from the supplier.

** For outdoor applications, it is recommended to check with our team for the best technical solution (e.g. need for a special finishing cycle).



E COR ENCLOSURE		PRODUCT CODE
B	P	
400	200	ECTT040020
400	250	ECTT040025
500	200	ECTT050020
500	250	ECTT050025
600	250	ECTT060025
600	300	ECTT060030
800	300	ECTT080030

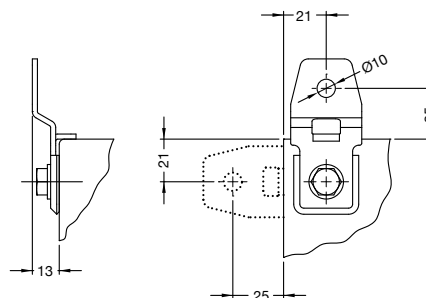
WALL MOUNTING KIT



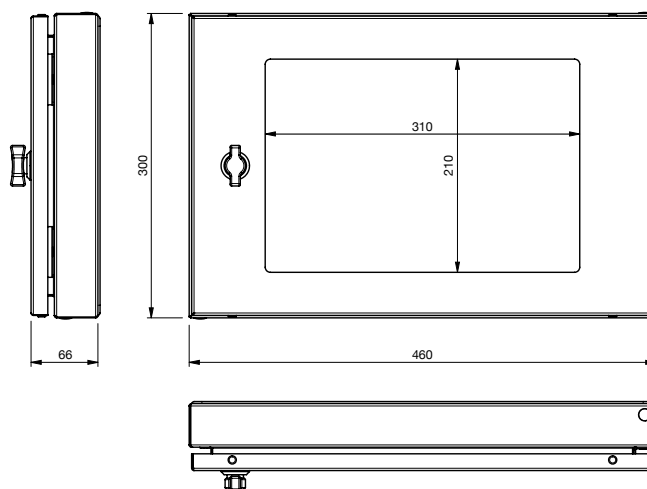
ECSF0001

Made of zinc-coated sheet steel. Nr. 4 pieces complete with mounting accessories.

* Brackets assembled from outside enclosure.



Hinged window door manufactured with anodized aluminium structure and Plexiglass protection; it allows the internal components to be viewed to check operation. Pleasant aesthetics.
 Simple assembly by replacement of the front door E COR, with fixing on the same hinges.
 Double locking system diam. 3 mm, with possibility of replacing inserts.
 Accessory available on request, can be customised for dimensions (within the limits indicated in the table), H profile, transparent panel type (lexan or thermoplast) and subject to m.o.q.
 Nr. 1 piece complete with assembly accessories.



ALUMINIUM WINDOW



PROTECTION RATING

IP54 compliant with IEC EN62208; EN60529.

PS: Assembly directly on the casing without machining.

DIMENSIONS			PRODUCT CODE	CLEARANCE AVAIL. A
B	A	P		
400	400	30	ECFA040040	326
400	500	30	ECFA040050	426
500	700	30	ECFA050070	626
600	400	30	ECFA060040	326
600	600	30	ECFA060060	522
600	800	60	ECFA060080	722
600	1200	60	ECFA060120	1122
800	1000	60	ECFA080100	922
800	1200	60	ECFA080120	1122

WINDOW WITH GLASS



ECPV46306

Window max. external dim. L 460 x H 300 x D 60 mm manufactured in steel sheet with tempered glass th. 4.0 mm internal clearance dim. L 310 x H 210 mm; locking system with wing knob.
 Can be manufactured with special dimensions within the dimension limit indicated, with m.o.q. to be verified.
 Nr. 1 piece complete with assembly accessories.

PAINTING

E DUP - cathodic electrophoresis paint with epoxy resin and finish with a topcoat of epoxy-polyester thermosetting powder, according to the standard ETA electrostatic cycle. Textured RAL7035 colour.

PROTECTION RATING

IP55 compliant with IEC EN62208 and EN60529.
 Type 1, 12 compliant with UL508A, UL50.

PS: Direct assembly on the door of casing with necessary machining, to be indicated in the order phase if required from the supplier.





CABLE ENTRY PLATE



SOLID / LOUVRED / PERFORATED

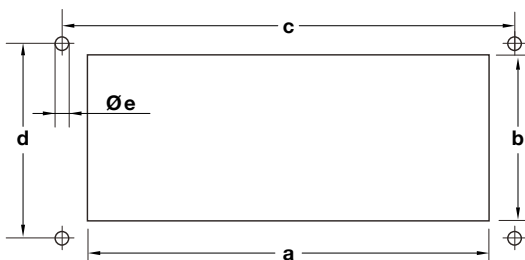
Made from sheet steel.
Single piece complete with mounting accessories.



PAINTING

E DUP - cathodic electrophoresis paint with epoxy resin and finish with thermosetting epoxy-polyester powders for ETA standard electrostatic cycle. Colour: RAL7035 textured.

CABLE ENTRY			PRODUCT CODE		
E	F	TYPE	SOLID VERSION	LOUVERED VERSION	PERFORATED VERSION
135	55	S	ECIC0001	ECIA0001	ECIF0001
210	55	S	ECIC0002	ECIA0002	ECIF0002
210	110	S	ECIC0003	ECIA0003	ECIF0003
310	110	S	ECIC0004	ECIA0004	ECIF0004
210	110	S	Version with 2 spaces for flanges		ECIF0005
210	110	D	ECIC0003	ECIA0003	ECIF0003
310	110	D	ECIC0004	ECIA0004	ECIF0004
210	110	D	Version with 2 spaces for flanges		ECIF0005



CHARACTERISTICS AND COMPOSITION

The ECRM type cable entry flange is designed for simple and safe cables passage:

- A valid alternative for boxes in which the space on the casing is limited.
- The ultra-flexible entry mode supplies protection for a wide range of cables/diameters (from 5.0 to 13.0 mm).
- Special design of the rear sealing plate.
- Special adherence even if cables are removed.
- Used on the ECIF cables entry plate or fixed directly onto the E COR casing.
- Simple click&fit assembly or fixing with the aid of screws (not supplied).

Material:

- Frame: PA reinforced with glass fibre.
- Cable entry protection membrane: Butyl Rubber.
- Spacer: chloroprene.
- Protective membrane: polyurethane.
- Gasket: silicone or polyurethane.

Temperature: -40°C +80°C. Colour: RAL7035.

CABLE ENTRY FLANGE



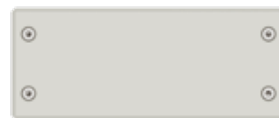
PROTECTION RATING

IP65 compliant with IEC EN62208 and EN60529.
Type 12, 13, 4X compliant with UL508A, UL50 (4X covers all diameters greater than 5.0 mm up to a specific maximum diameter).

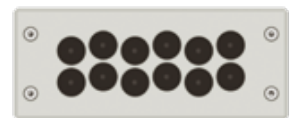
DEGREE OF FLAMMABILITY

HB compliant with UL94.

NR. OF CABLE ENTRIES	DIAMETER OF CABLE ENTRIES	PRODUCT CODE	EXTERNAL DIM.			HOLE DIM.								
			B	A	P	a	b	c	d	e				
0		ECRM0000												
12	5,0 - 13,5	ECRM0012												
14	5,0 - 11,5	ECRM0014												
22	16 holes for 3,0 - 6,5 4 holes for 5,0 - 9,2 2 holes for 8,0 - 12,5	ECRM0022	148	60	13,5	112	36	130	32	5				
23	4,0 - 8,5	ECRM0023												
29	4,0 - 7,0	ECRM0029												



ECRM0000



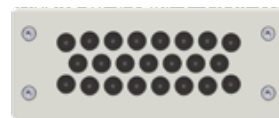
ECRM0012



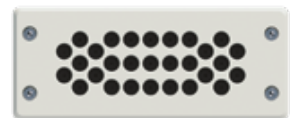
ECRM0014



ECRM0022



ECRM0023



ECRM0029



CHARACTERISTICS AND COMPOSITION

Plinth made up of 2 front cross-pieces 2 lateral cross-pieces with integrated corner piece made from sheet steel.

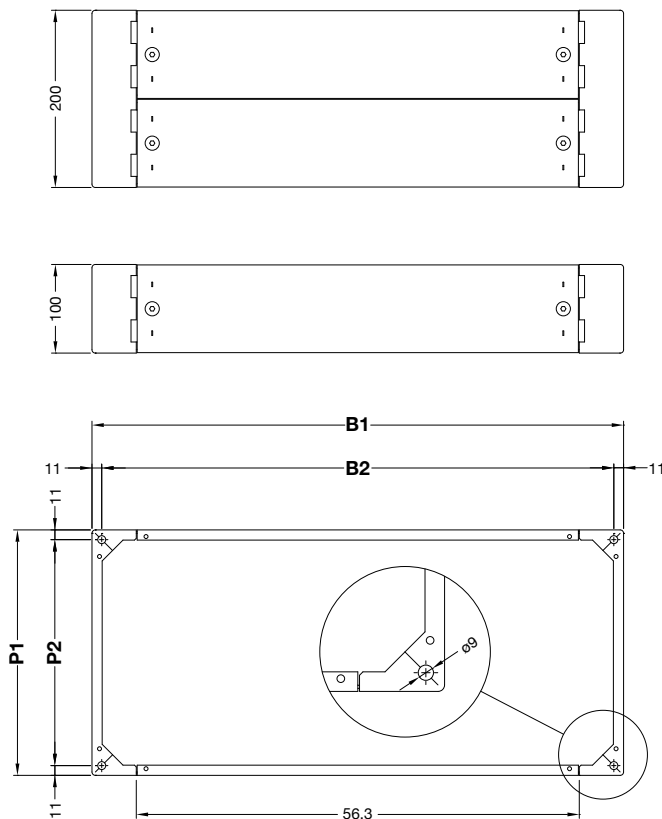
To order, select the pack of front crosspieces (2 pcs) and the pack of lateral crosspieces (2 pcs), including the mounting hardware.

PAINTING

E DUP - cathodic electrophoresis paint with epoxy resin and finish with thermosetting epoxy-polyester powders for ETA standard electrostatic cycle. Colour: RAL5020 textured.

** Enclosure machining required: indicate when ordering if requested from the supplier.*

e COR UNIVERSAL PLINTH



MODULAR PLINTH

E COR ENCLOSURE		BASE				
B	P	B1	B2	B3	P1	P2
600	300	600	578	500	277	255
600	350	600	578	500	327	305
600	400	600	578	500	377	355
800	300	800	778	700	277	255
800	400	800	778	700	377	355
1000	300	1000	978	900	277	255
1200	300	1200	1178	1100	277	255

SIDE CROSS-PIECES WITH INTEGRATED CORNER PIECE

P	H	PRODUCT CODE
300	100	ECZP030010
350	100	ECZP035010
400	100	ECZP040010
300	200	ECZP030020
350	200	ECZP035020
400	200	ECZP040020

FRONTAL CROSS-PIECES

B	H	PRODUCT CODE
600	100	ECZP0600
800	100	ECZP0800
1000	100	ECZP1000
1200	100	ECZP1200

** For plinth H=200, order 2 packs of frontal crosspieces.*

MOUNTING PLATE

E COR ENCL.		PLATE CHARACTERISTICS		
B	A	PRODUCT CODE	L	H
200	300	ECPA020030	150	250
250	300	ECPA025030	200	250
300	300	ECPA030030	250	250
300	400	ECPA030040	250	350
300	500	ECPA030050	250	450
400	300	ECPA040030	350	250
400	400	ECPA040040	350	350
400	500	ECPA040050	350	450
400	600	ECPA040060	350	550
500	500	ECPA050050	450	450
500	600	ECPA050060	450	550
500	700	ECPA050070	450	650
600	400	ECPA060040	550	350
600	600	ECPA060060	550	550
600	800	ECPA060080	550	750
600	1000	ECPA060100	550	950
600	1200	ECPA060120	550	1150
800	600	ECPA080060	750	550
800	800	ECPA080080	750	750
800	1000	ECPA080100	750	950
800	1200	ECPA080120	750	1150
1000	800	ECPA100080	950	750
1000	1000	ECPA100100	950	950
1000	1200	ECPA100120	950	1150
1200	1000	ECPA120100	1150	950
1200	1200	ECPA120120	1150	1150

CABLE ENTRY PLATE (2 PCS)

E COR ENCL.		CABLE ENTRY			PRODUCT CODE		
B	P	E	F	TYPE	SOLID VERSION	LOUVRED VERSION	MACHINED VERSION
200	150	135	55	S	ECIC0001	ECIA0001	ECIF0001
250	150	135	55	S	ECIC0001	ECIA0001	ECIF0001
300	150	210	55	S	ECIC0002	ECIA0002	ECIF0002
300	200	210	110	S	ECIC0003	ECIA0003	ECIF0003 *
400	150	210	55	S	ECIC0002	ECIA0002	ECIF0002
400	200	310	110	S	ECIC0004	ECIA0004	ECIF0004
400	250	310	110	S	ECIC0004	ECIA0004	ECIF0004
400	300	310	110	S	ECIC0004	ECIA0004	ECIF0004
400	350	310	110	S	ECIC0004	ECIA0004	ECIF0004
400	400	310	110	S	ECIC0004	ECIA0004	ECIF0004
500	150	210	55	S	ECIC0002	ECIA0002	ECIF0002
500	200	310	110	S	ECIC0004	ECIA0004	ECIF0004
500	250	310	110	S	ECIC0004	ECIA0004	ECIF0004
500	300	310	110	S	ECIC0004	ECIA0004	ECIF0004
600	200	210	110	D	ECIC0003	ECIA0003	ECIF0003 *
600	250	210	110	D	ECIC0003	ECIA0003	ECIF0003 *
600	300	210	110	D	ECIC0003	ECIA0003	ECIF0003 *
600	350	210	110	D	ECIC0003	ECIA0003	ECIF0003 *
600	400	210	110	D	ECIC0003	ECIA0003	ECIF0003 *
800	250	310	110	D	ECIC0004	ECIA0004	ECIF0004
800	300	310	110	D	ECIC0004	ECIA0004	ECIF0004
800	400	310	110	D	ECIC0004	ECIA0004	ECIF0004
1000	200	310	110	D	ECIC0004	ECIA0004	ECIF0004
1000	300	310	110	D	ECIC0004	ECIA0004	ECIF0004
1200	300	310	110	D	ECIC0004	ECIA0004	ECIF0004

* ECIF0005 - version with 2 spaces for flanges

ecor

SPARE PART
ACCESSORIES

SINGLE BLANK DOOR

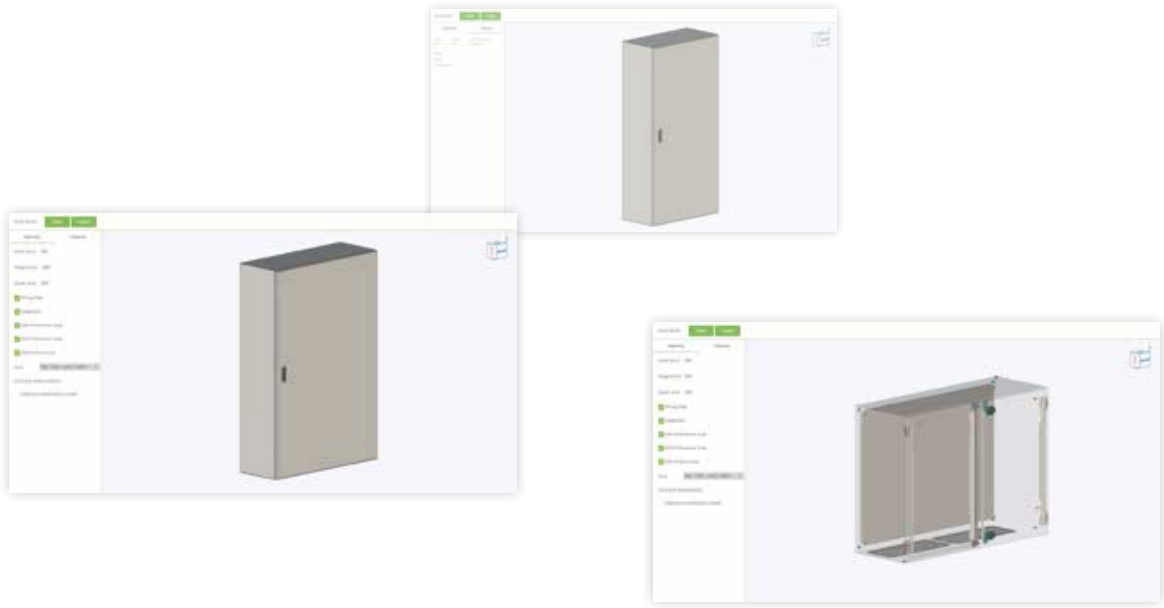
E COR ENCL.		SINGLE BLANK DOOR CHAR.		
B	A	PRODUCT CODE	L	H
200	300	ECPO020030	195	295
250	300	ECPO025030	245	295
300	300	ECPO030030	295	295
300	400	ECPO030040	295	395
300	500	ECPO030050	295	495
400	300	ECPO040030	395	295
400	400	ECPO040040	395	395
400	500	ECPO040050	395	495
400	600	ECPO040060	395	595
500	500	ECPO050050	495	495
500	600	ECPO050060	495	595
500	700	ECPO050070	495	695
600	400	ECPO060040	595	395
600	600	ECPO060060	595	595
600	800	ECPO060080	595	795
600	1000	ECPO060100	595	995
600	1200	ECPO060120	595	1195
800	800	ECPO080080	795	795
800	1000	ECPO080100	795	995
800	1200	ECPO080120	795	1195

DOUBLE BLANK DOOR

E COR ENCL.		DOOR CB / IB DIMENS.		MASTER DOOR WITH LOCK CODE		SLAVE DOOR CODE	
B	A	L	H				
800	600	395	595	ECPO080060I	ECPO080060C		
1000	800	495	795	ECPO100080I	ECPO100080C		
1000	1000	495	995	ECPO100100I	ECPO100100C		
1000	1200	495	1195	ECPO100120I	ECPO100120C		
1200	1000	595	995	ECPO120100I	ECPO120100C		
1200	1200	595	1195	ECPO120120I	ECPO120120C		

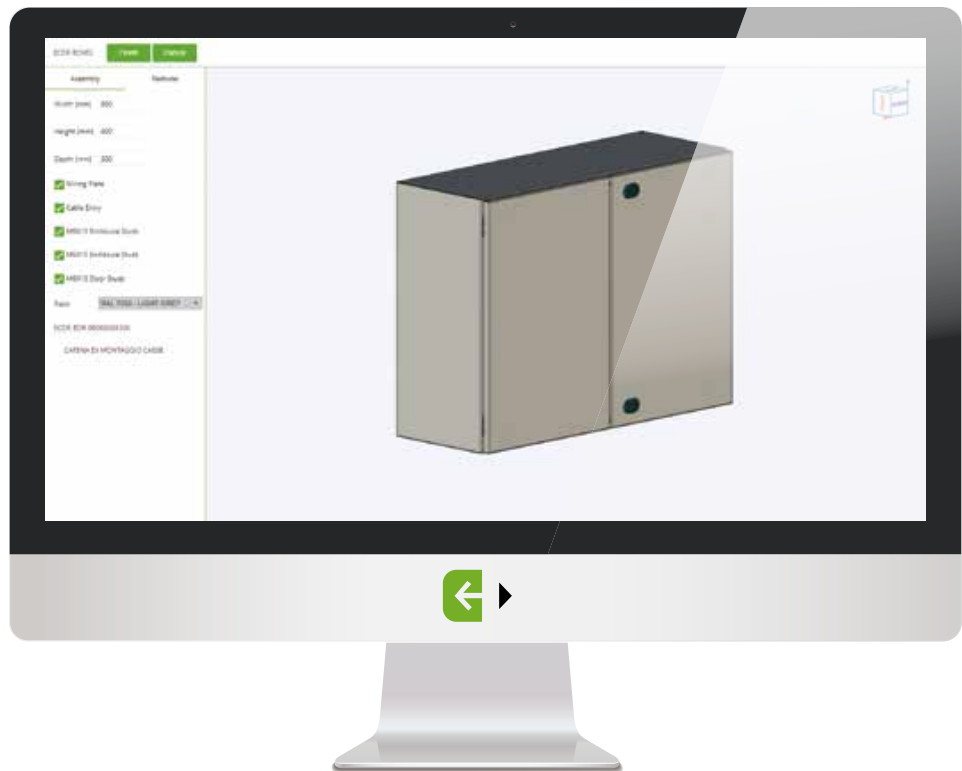
TRANSPARENT DOOR

E COR ENCL.		TRANSP. DOOR CHARACT.		
B	A	PRODUCT CODE	L	H
400	300	ECPV040030	395	295
400	400	ECPV040040	395	395
400	500	ECPV040050	395	495
400	600	ECPV040060	395	595
500	700	ECPV050070	495	695
600	400	ECPV060040	595	395
600	600	ECPV060060	595	595
600	800	ECPV060080	595	795
600	1000	ECPV060100	595	995
600	1200	ECPV060120	595	1195
800	800	ECPV080080	795	795
800	1000	ECPV080100	795	995
800	1200	ECPV080120	795	1195



CHOOSE YOUR SOLUTION: ETA CAN PRODUCE IT

CALAMUS
INTERACTIVE



DISCOVER A NEW DIMENSION OF CUSTOMISATION WITH CALAMUS INTERACTIVE - PREVIEW

An online configurator that listens to your needs and communicates with ETA's automated lines, in full compliance with the prerequisites of Industry 4.0.

In just a few simple steps, you can select, set up and personalise the E COR enclosure most suitable for your final application (size, machining, accessories, stud bolts and finishing), obtaining our offer and availability in real time. An easy-to-use instrument that is in constant evolution.

You choose what you need... CALAMUS INTERACTIVE will do the rest!



**CHOOSE
FROM AMONG
THE VARIOUS
STANDARD
SOLUTIONS
AVAILABLE
IN THE
CATALOGUE**

ecor

**CODE
SELECTION
TABLE**

DIMENS. (mm)			ENCLOSURE				
B	A	P	SINGLE BLANK DOOR	DOUBLE BLANK DOOR	SINGLE TRANSPARENT DOOR	ATEX ELECTRICAL HOUSING	EMC VERSION
200	300	150	EC020315			ST2315EE	
250	300	150	EC025315				
300	300	150	EC030315			ST3315EE	
300	300	200	EC030320				
300	400	150	EC030415			ST3415EE	
300	400	200	EC030420			ST3420EE	
300	500	150	EC030515			ST3515EE	
300	500	200	EC030520			ST3520EE	
400	300	150	EC040315			ST4315EE	
400	300	200	EC040320		EC040320.P	ST4320EE	
400	400	200	EC040420		EC040420.P	ST4420EE	EC040420.E
400	500	150	EC040515			ST4515EE	
400	500	200	EC040520		EC040520.P	ST4520EE	
400	500	250	EC040525		EC040525.P	ST4525EE	
400	600	200	EC040620		EC040620.P	ST4620EE	EC040620.E
400	600	250	EC040625		EC040625.P	ST4625EE	
400	600	300	EC040630				
400	600	350	EC040635				
400	600	400	EC040640			ST4640EE	
500	500	200	EC050520			ST5520EE	
500	500	250	EC050525				
500	500	300	EC050530				
500	600	150	EC050615				
500	700	200	EC050720		EC050720.P	ST5720EE	
500	700	250	EC050725		EC050725.P	ST5725EE	
600	400	200	EC060420		EC060420.P	ST6420EE	
600	400	300	EC060430			ST6430EE	
600	600	200	EC060620		EC060620.P	ST6620EE	
600	600	250	EC060625				
600	600	300	EC060630		EC060630.P	ST6630EE	EC060630.E
600	600	350	EC060635				
600	600	400	EC060640			ST6640EE	
600	800	200	EC060820			ST6820EE	
600	800	250	EC060825		EC060825.P	ST6825EE	
600	800	300	EC060830		EC060830.P	ST6830EE	
600	800	350	EC060835				
600	800	400	EC060840			ST6840EE	
600	1000	250	EC061025			ST61025EE	
600	1000	300	EC061030		EC061030.P	ST61030EE	
600	1000	350	EC061035				
600	1000	400	EC061040			ST61040EE	
600	1200	300	EC061230		EC061230.P	ST61230EE	
800	800	300	EC080830		EC080830.P	ST8830EE	
800	800	400	EC080840			ST8840EE	
800	1000	250	EC081025				
800	1000	300	EC081030		EC081030.P	ST81030EE	
800	1000	400	EC081040			ST81040EE	
800	1200	300	EC081230		EC081230.P	ST81230EE	
800	1200	400	EC081240				
800	600	300		EC080630			
1000	800	200		EC100820			
1000	800	300		EC100830			
1000	1000	300		EC101030			
1000	1200	300		EC101230			
1200	1000	300		EC121030			
1200	1200	300		EC121230			

DOOR ACCESSORIES

MODULAR CHASSIS	SOLID PANEL H = 200	INNER DOOR	LOCK SYSTEM FOR E COR TYPE	DOOR CROSS-PIECE (10 PCS)	DOOR STOPPER	19" RACK UPRIGHTS (2 PCS)
			Box / 1		ECWA0001	ECMR0300
			Box / 1		ECWA0001	ECMR0300
			Box / 1	ECTP0300	ECWA0001	ECMR0300
			Box / 1	ECTP0300	ECWA0001	ECMR0300
			Box / 1	ECTP0300	ECWA0001	ECMR0400
			Box / 1	ECTP0300	ECWA0001	ECMR0400
			Box / 1	ECTP0300	ECWA0001	ECMR0500
			Box / 1	ECTP0300	ECWA0001	ECMR0500
ECMI040030	ECAV040015		Box / 1	ECTP0400	ECWA0001	ECMR0300
ECMI040030	ECAV040015		Box / 1	ECTP0400	ECWA0001	ECMR0300
ECMI040040	ECAV040015		Box / 1	ECTP0400	ECWA0001	ECMR0400
ECMI040050	ECAV040015		Box / 1	ECTP0400	ECWA0001	ECMR0500
ECMI040050	ECAV040015	ECPI040050	Box / 1	ECTP0400	ECWA0001	ECMR0500
ECMI040050	ECAV040015	ECPI040050	Box / 1	ECTP0400	ECWA0001	ECMR0500
ECMI040060	ECAV040015	ECPI040060	Box / 2	ECTP0400	ECWA0001	ECMR0600
ECMI040060	ECAV040015	ECPI040060	Box / 2	ECTP0400	ECWA0001	ECMR0600
ECMI040060	ECAV040015	ECPI040060	Box / 2	ECTP0400	ECWA0001	ECMR0600
ECMI040060	ECAV040015	ECPI040060	Box / 2	ECTP0400	ECWA0001	ECMR0600
			Box / 1	ECTP0500	ECWA0001	ECMR0500
			Box / 1	ECTP0500	ECWA0001	ECMR0500
			Box / 1	ECTP0500	ECWA0001	ECMR0500
			Box / 1	ECTP0500	ECWA0001	ECMR0600
ECMI050070	ECAV050015	ECPI050070	Box / 2	ECTP0500	ECWA0001	ECMR0700
ECMI050070	ECAV050015	ECPI050070	Box / 2	ECTP0500	ECWA0001	ECMR0700
ECMI060040	ECAV060015	ECPI060040	Box / 1	ECTP0600	ECWA0001	ECMR0400
ECMI060040	ECAV060015	ECPI060040	Box / 1	ECTP0600	ECWA0001	ECMR0400
ECMI060060	ECAV060015		Box / 2	ECTP0600	ECWA0001	ECMR0600
ECMI060060	ECAV060015		Box / 2	ECTP0600	ECWA0001	ECMR0600
ECMI060060	ECAV060015		Box / 2	ECTP0600	ECWA0001	ECMR0600
ECMI060060	ECAV060015		Box / 2	ECTP0600	ECWA0001	ECMR0600
ECMI060060	ECAV060015		Box / 2	ECTP0600	ECWA0001	ECMR0600
ECMI060080	ECAV060015	ECPI060080	Box / 2	ECTP0600	ECWA0001	ECMR0800
ECMI060080	ECAV060015	ECPI060080	Box / 2	ECTP0600	ECWA0001	ECMR0800
ECMI060080	ECAV060015	ECPI060080	Box / 2	ECTP0600	ECWA0001	ECMR0800
ECMI060080	ECAV060015	ECPI060080	Box / 2	ECTP0600	ECWA0001	ECMR0800
ECMI060080	ECAV060015	ECPI060080	Box / 2	ECTP0600	ECWA0001	ECMR0800
ECMI060100	ECAV060015	ECPI060100	Box / 2	ECTP0600	ECWA0001	ECMR1000
ECMI060100	ECAV060015	ECPI060100	Box / 2	ECTP0600	ECWA0001	ECMR1000
ECMI060100	ECAV060015	ECPI060100	Box / 2	ECTP0600	ECWA0001	ECMR1000
ECMI060100	ECAV060015	ECPI060100	Box / 2	ECTP0600	ECWA0001	ECMR1000
ECMI060120	ECAV060015	ECPI060120	Latch	ECTP0600	ECWA0001	ECMR1200
			Box / 2	ECTP0800	ECWA0001	ECMR0800
			Box / 2	ECTP0800	ECWA0001	ECMR0800
ECMI080100	ECAV080015	ECPI080100	Box / 2	ECTP0800	ECWA0001	ECMR1000
ECMI080100	ECAV080015	ECPI080100	Box / 2	ECTP0800	ECWA0001	ECMR1000
ECMI080100	ECAV080015	ECPI080100	Box / 2	ECTP0800	ECWA0001	ECMR1000
ECMI080120	ECAV080015	ECPI080120	Latch	ECTP0800	ECWA0001	ECMR1200
ECMI080120	ECAV080015	ECPI080120	Latch	ECTP0800	ECWA0001	ECMR1200
			Box / 2	ECTP0800	ECWA0001	ECMR0600
			Box / 2	ECTP0500	ECWA0001	ECMR0800
			Box / 2	ECTP0500	ECWA0001	ECMR0800
			Latch	ECTP0500	ECWA0001	ECMR1000
			Latch	ECTP0500	ECWA0001	ECMR1200
			Latch	ECTP0600	ECWA0001	ECMR1000
			Latch	ECTP0600	ECWA0001	ECMR1200

See page 25
to select the lock system
based on the
E COR TYPE

SPARE PARTS ACCESSORIES

MOUNTING PLATE	BLANK DOOR	TRANSPARENT DOOR
ECPA020030	ECPO020030	
ECPA025030	ECPO025030	
ECPA030030	ECPO030030	
ECPA030030	ECPO030030	
ECPA030040	ECPO030040	
ECPA030040	ECPO030040	
ECPA030050	ECPO030050	
ECPA030050	ECPO030050	
ECPA040030	ECPO040030	ECPV040030
ECPA040030	ECPO040030	ECPV040030
ECPA040040	ECPO040040	ECPV040040
ECPA040040	ECPO040040	ECPV040040
ECPA040050	ECPO040050	ECPV040050
ECPA040050	ECPO040050	ECPV040050
ECPA040060	ECPO040060	ECPV040060
ECPA040060	ECPO040060	ECPV040060
ECPA040060	ECPO040060	ECPV040060
ECPA040060	ECPO040060	ECPV040060
ECPA040060	ECPO040060	ECPV040060
ECPA050050	ECPO050050	
ECPA050050	ECPO050050	
ECPA050050	ECPO050050	
ECPA050060	ECPO050060	
ECPA050070	ECPO050070	ECPV050070
ECPA050070	ECPO050070	ECPV050070
ECPA060040	ECPO060040	ECPV060040
ECPA060040	ECPO060040	ECPV060040
ECPA060060	ECPO060060	ECPV060060
ECPA060060	ECPO060060	ECPV060060
ECPA060060	ECPO060060	ECPV060060
ECPA060060	ECPO060060	ECPV060060
ECPA060060	ECPO060060	ECPV060060
ECPA060080	ECPO060080	ECPV060080
ECPA060080	ECPO060080	ECPV060080
ECPA060080	ECPO060080	ECPV060080
ECPA060080	ECPO060080	ECPV060080
ECPA060080	ECPO060080	ECPV060080
ECPA060100	ECPO060100	ECPV060100
ECPA060100	ECPO060100	ECPV060100
ECPA060100	ECPO060100	ECPV060100
ECPA060100	ECPO060100	ECPV060100
ECPA060120	ECPO060120	ECPV060120
ECPA080080	ECPO080080	ECPV080080
ECPA080080	ECPO080080	ECPV080080
ECPA080100	ECPO080100	ECPV080100
ECPA080100	ECPO080100	ECPV080100
ECPA080100	ECPO080100	ECPV080100
ECPA080120	ECPO080120	ECPV080120
ECPA080120	ECPO080120	ECPV080120
ECPA080060	ECPO080060*	
ECPA100080	ECPO100080*	
ECPA100080	ECPO100080*	
ECPA100100	ECPO100100*	
ECPA100120	ECPO100120*	
ECPA120100	ECPO120100*	
ECPA120120	ECPO120120*	

* Add 1 to the code
to order a master door
with lock (e.g. ECPO0800601)
and C for slave door
(e.g. ECPO080060C)

DIMENS. (mm)			ENCLOSURE				
B	A	P	SINGLE BLANK DOOR	DOUBLE BLANK DOOR	SINGLE TRANSPARENT DOOR	ATEX ELECTRICAL HOUSING	EMC VERSION
200	300	150	EC020315			ST2315EE	
250	300	150	EC025315				
300	300	150	EC030315			ST3315EE	
300	300	200	EC030320				
300	400	150	EC030415			ST3415EE	
300	400	200	EC030420			ST3420EE	
300	500	150	EC030515			ST3515EE	
300	500	200	EC030520			ST3520EE	
400	300	150	EC040315			ST4315EE	
400	300	200	EC040320		EC040320.P	ST4320EE	
400	400	200	EC040420		EC040420.P	ST4420EE	EC040420.E
400	500	150	EC040515			ST4515EE	
400	500	200	EC040520		EC040520.P	ST4520EE	
400	500	250	EC040525		EC040525.P	ST4525EE	
400	600	200	EC040620		EC040620.P	ST4620EE	EC040620.E
400	600	250	EC040625		EC040625.P	ST4625EE	
400	600	300	EC040630				
400	600	350	EC040635				
400	600	400	EC040640			ST4640EE	
500	500	200	EC050520			ST5520EE	
500	500	250	EC050525				
500	500	300	EC050530				
500	600	150	EC050615				
500	700	200	EC050720		EC050720.P	ST5720EE	
500	700	250	EC050725		EC050725.P	ST5725EE	
600	400	200	EC060420		EC060420.P	ST6420EE	
600	400	300	EC060430			ST6430EE	
600	600	200	EC060620		EC060620.P	ST6620EE	
600	600	250	EC060625				
600	600	300	EC060630		EC060630.P	ST6630EE	EC060630.E
600	600	350	EC060635				
600	600	400	EC060640			ST6640EE	
600	800	200	EC060820			ST6820EE	
600	800	250	EC060825		EC060825.P	ST6825EE	
600	800	300	EC060830		EC060830.P	ST6830EE	
600	800	350	EC060835				
600	800	400	EC060840			ST6840EE	
600	1000	250	EC061025			ST61025EE	
600	1000	300	EC061030		EC061030.P	ST61030EE	
600	1000	350	EC061035				
600	1000	400	EC061040			ST61040EE	
600	1200	300	EC061230		EC061230.P	ST61230EE	
800	800	300	EC080830		EC080830.P	ST8830EE	
800	800	400	EC080840			ST8840EE	
800	1000	250	EC081025				
800	1000	300	EC081030		EC081030.P	ST81030EE	
800	1000	400	EC081040			ST81040EE	
800	1200	300	EC081230		EC081230.P	ST81230EE	
800	1200	400	EC081240				
800	600	300		EC080630			
1000	800	200		EC100820			
1000	800	300		EC100830			
1000	1000	300		EC101030			
1000	1200	300		EC101230			
1200	1000	300		EC121030			
1200	1200	300		EC121230			

MICRO-PERFORATED MOUNTING PLATE	MOUNTING PLATE ADJUSTER (10 PCS)	IN-DEPTH UNIVERSAL CROSS-PIECE (4PCS)
ECPF020030		ECTU0150
ECPF025030		ECTU0150
ECPF030030		ECTU0150
ECPF030030	ECRP0001	ECTU0200
ECPF030040		ECTU0150
ECPF030040	ECRP0001	ECTU0200
ECPF030050		ECTU0150
ECPF030050	ECRP0001	ECTU0200
ECPF040030		ECTU0150
ECPF040030	ECRP0001	ECTU0200
ECPF040040	ECRP0001	ECTU0200
ECPF040050		ECTU0150
ECPF040050	ECRP0001	ECTU0200
ECPF040050	ECRP0001	ECTU0250
ECPF040060	ECRP0001	ECTU0200
ECPF040060	ECRP0001	ECTU0250
ECPF040060	ECRP0001	ECTU0300
ECPF040060	ECRP0001	ECTU0350
ECPF040060	ECRP0001	ECTU0400
ECPF050050	ECRP0001	ECTU0200
ECPF050050	ECRP0001	ECTU0250
ECPF050050	ECRP0001	ECTU0300
ECPF050060		ECTU0150
ECPF050070	ECRP0001	ECTU0200
ECPF050070	ECRP0001	ECTU0250
ECPF060040	ECRP0001	ECTU0200
ECPF060040	ECRP0001	ECTU0300
ECPF060060	ECRP0001	ECTU0200
ECPF060060	ECRP0001	ECTU0250
ECPF060060	ECRP0001	ECTU0300
ECPF060060	ECRP0001	ECTU0350
ECPF060060	ECRP0001	ECTU0400
ECPF060080	ECRP0001	ECTU0200
ECPF060080	ECRP0001	ECTU0250
ECPF060080	ECRP0001	ECTU0300
ECPF060080	ECRP0001	ECTU0350
ECPF060080	ECRP0001	ECTU0400
ECPF060100	ECRP0001	ECTU0250
ECPF060100	ECRP0001	ECTU0300
ECPF060100	ECRP0001	ECTU0350
ECPF060100	ECRP0001	ECTU0400
ECPF060120	ECRP0001	ECTU0300
ECPF080080	ECRP0001	ECTU0300
ECPF080080	ECRP0001	ECTU0400
ECPF080100	ECRP0001	ECTU0250
ECPF080100	ECRP0001	ECTU0300
ECPF080100	ECRP0001	ECTU0400
ECPF080120	ECRP0001	ECTU0300
ECPF080120	ECRP0001	ECTU0400
ECPF080060	ECRP0001	ECTU0300
ECPF100080	ECRP0001	ECTU0200
ECPF100080	ECRP0001	ECTU0300
ECPF100100	ECRP0001	ECTU0300
ECPF100120	ECRP0001	ECTU0300
ECPF120100	ECRP0001	ECTU0300
ECPF120120	ECRP0001	ECTU0300

HOUSING ACCESSORIES

MICRO-SWITCH	WALL MOUNTING KIT	POLE MOUNTING KIT	PROTECTIVE CANOPY	BLANK CABLE ENTRY PLATE (2 PCS)	LOUVERED CABLE ENTRY PLATE (2 PCS)	PUNCHED CABLE ENTRY PLATE (2 PCS)	PLINTH SIDE CROSS-PIECES WITH INTEGRATED CORNER PIECE H = 100 (2 PCS)	PLINTH SIDE CROSS-PIECES WITH INTEGRATED CORNER PIECE H = 200 (2 PCS)	PLINTH FRONTAL CROSSPIECES (2 PCS)
ECMC0001	ECSF0001	ECFP0001		ECIC0001	ECIA0001	ECIF0001			
ECMC0001	ECSF0001	ECFP0001		ECIC0001	ECIA0001	ECIF0001			
ECMC0001	ECSF0001	ECFP0001		ECIC0002	ECIA0002	ECIF0002			
ECMC0001	ECSF0001	ECFP0001		ECIC0003	ECIA0003	ECIF0003 *			
ECMC0001	ECSF0001	ECFP0001		ECIC0002	ECIA0002	ECIF0002			
ECMC0001	ECSF0001	ECFP0001		ECIC0003	ECIA0003	ECIF0003 *			
ECMC0001	ECSF0001	ECFP0001		ECIC0002	ECIA0002	ECIF0002			
ECMC0001	ECSF0001	ECFP0001		ECIC0003	ECIA0003	ECIF0003 *			
ECMC0001	ECSF0001	ECFP0001		ECIC0002	ECIA0002	ECIF0002			
ECMC0001	ECSF0001	ECFP0001	ECTT040020	ECIC0004	ECIA0004	ECIF0004			
ECMC0001	ECSF0001	ECFP0001	ECTT040020	ECIC0004	ECIA0004	ECIF0004			
ECMC0001	ECSF0001	ECFP0001		ECIC0002	ECIA0002	ECIF0002			
ECMC0001	ECSF0001	ECFP0001	ECTT040020	ECIC0004	ECIA0004	ECIF0004			
ECMC0001	ECSF0001	ECFP0001	ECTT040025	ECIC0004	ECIA0004	ECIF0004			
ECMC0001	ECSF0001	ECFP0001	ECTT040020	ECIC0004	ECIA0004	ECIF0004			
ECMC0001	ECSF0001	ECFP0001	ECTT040025	ECIC0004	ECIA0004	ECIF0004			
ECMC0001	ECSF0001	ECFP0001		ECIC0004	ECIA0004	ECIF0004	ECZP030010	ECZP030020	
ECMC0001	ECSF0001	ECFP0001		ECIC0004	ECIA0004	ECIF0004	ECZP035010	ECZP035020	
ECMC0001	ECSF0001	ECFP0001		ECIC0004	ECIA0004	ECIF0004	ECZP040010	ECZP040020	
ECMC0001	ECSF0001	ECFP0001	ECTT050020	ECIC0004	ECIA0004	ECIF0004			
ECMC0001	ECSF0001	ECFP0001	ECTT050025	ECIC0004	ECIA0004	ECIF0004			
ECMC0001	ECSF0001	ECFP0001		ECIC0004	ECIA0004	ECIF0004	ECZP030010	ECZP030020	
ECMC0001	ECSF0001	ECFP0001		ECIC0002	ECIA0002	ECIF0002			
ECMC0001	ECSF0001	ECFP0001	ECTT050020	ECIC0004	ECIA0004	ECIF0004			
ECMC0001	ECSF0001	ECFP0001	ECTT050025	ECIC0004	ECIA0004	ECIF0004			
ECMC0001	ECSF0001	ECFP0001		ECIC0003	ECIA0003	ECIF0003 *			ECZP0600
ECMC0001	ECSF0001	ECFP0001	ECTT060030	ECIC0003	ECIA0003	ECIF0003 *	ECZP030010	ECZP030020	ECZP0600
ECMC0001	ECSF0001	ECFP0001		ECIC0003	ECIA0003	ECIF0003 *			ECZP0600
ECMC0001	ECSF0001	ECFP0001	ECTT060025	ECIC0003	ECIA0003	ECIF0003 *			ECZP0600
ECMC0001	ECSF0001	ECFP0001	ECTT060030	ECIC0003	ECIA0003	ECIF0003 *	ECZP030010	ECZP030020	ECZP0600
ECMC0001	ECSF0001	ECFP0001		ECIC0003	ECIA0003	ECIF0003 *	ECZP035010	ECZP035020	ECZP0600
ECMC0001	ECSF0001	ECFP0001		ECIC0003	ECIA0003	ECIF0003 *	ECZP040010	ECZP040020	ECZP0600
ECMC0001	ECSF0001	ECFP0001		ECIC0004	ECIA0004	ECIF0004 *			ECZP0600
ECMC0001	ECSF0001	ECFP0001	ECTT060025	ECIC0004	ECIA0004	ECIF0004 *			ECZP0600
ECMC0001	ECSF0001	ECFP0001	ECTT060030	ECIC0004	ECIA0004	ECIF0004 *	ECZP030010	ECZP030020	ECZP0600
ECMC0001	ECSF0001	ECFP0001		ECIC0004	ECIA0004	ECIF0004 *	ECZP035010	ECZP035020	ECZP0600
ECMC0001	ECSF0001	ECFP0001		ECIC0004	ECIA0004	ECIF0004 *	ECZP040010	ECZP040020	ECZP0600
ECMC0001	ECSF0001	ECFP0001	ECTT060025	ECIC0004	ECIA0004	ECIF0004 *			ECZP0600
ECMC0001	ECSF0001	ECFP0001	ECTT060030	ECIC0004	ECIA0004	ECIF0004 *	ECZP030010	ECZP030020	ECZP0600
ECMC0001	ECSF0001	ECFP0001		ECIC0004	ECIA0004	ECIF0004 *	ECZP035010	ECZP035020	ECZP0600
ECMC0001	ECSF0001	ECFP0001		ECIC0004	ECIA0004	ECIF0004 *	ECZP040010	ECZP040020	ECZP0600
ECMC0001	ECSF0001	ECFP0001	ECTT080030	ECIC0004	ECIA0004	ECIF0004	ECZP030010	ECZP030020	ECZP0800
ECMC0001	ECSF0001	ECFP0001		ECIC0004	ECIA0004	ECIF0004	ECZP040010	ECZP040020	ECZP0800
ECMC0001	ECSF0001	ECFP0001		ECIC0004	ECIA0004	ECIF0004			ECZP0800
ECMC0001	ECSF0001	ECFP0001	ECTT080030	ECIC0004	ECIA0004	ECIF0004	ECZP030010	ECZP030020	ECZP0800
ECMC0001	ECSF0001	ECFP0001		ECIC0004	ECIA0004	ECIF0004	ECZP040010	ECZP040020	ECZP0800
ECMC0001	ECSF0001	ECFP0001	ECTT080030	ECIC0004	ECIA0004	ECIF0004	ECZP030010	ECZP030020	ECZP0800
ECMC0001	ECSF0001	ECFP0001		ECIC0004	ECIA0004	ECIF0004	ECZP040010	ECZP040020	ECZP0800
ECMC0001	ECSF0001	ECFP0001	ECTT080030	ECIC0004	ECIA0004	ECIF0004	ECZP030010	ECZP030020	ECZP0800
ECMC0001	ECSF0001	ECFP0001		ECIC0004	ECIA0004	ECIF0004			ECZP1000
ECMC0001	ECSF0001	ECFP0001		ECIC0004	ECIA0004	ECIF0004	ECZP030010	ECZP030020	ECZP1000
ECMC0001	ECSF0001	ECFP0001		ECIC0004	ECIA0004	ECIF0004	ECZP030010	ECZP030020	ECZP1000
ECMC0001	ECSF0001	ECFP0001		ECIC0004	ECIA0004	ECIF0004	ECZP030010	ECZP030020	ECZP1000
ECMC0001	ECSF0001	ECFP0001		ECIC0004	ECIA0004	ECIF0004	ECZP030010	ECZP030020	ECZP1000
ECMC0001	ECSF0001	ECFP0001		ECIC0004	ECIA0004	ECIF0004	ECZP030010	ECZP030020	ECZP1200
ECMC0001	ECSF0001	ECFP0001		ECIC0004	ECIA0004	ECIF0004	ECZP030010	ECZP030020	ECZP1200

* Option:
ECIF0005
with 2 spaces
for flanges

E COR infinite answers to your needs

E.T.A. S.P.A.
22035 Canzo - Como (Italy)
Via Monte Barzaghino, 6
t. +39 031.673.611
f. +39 031.670.525
infosede@eta.it
www.eta.it

E.T.A. ENCLOSURES (UK) LIMITED
Unit 2, Ignite, Magna Way
Rotherham, South Yorkshire, S60 1FD
t. +44 01709 386630
f. +44 01709 369524
info@eta-enclosures.co.uk
www.eta-enclosures.co.uk

SASU E.T.A. France
Rue du Pré aux Boeufs
76806 St Etienne du Rouvray
t. +33 02 35643470
f. +33 02 35642275
info@etafrance.fr
www.etafrance.fr

ETA ENCLOSURES Sp. z o.o.
Sikorskiego 44,
62-300 Września (Polonia)

biuro@eta-enclosures.it
www.eta-enclosures.it

E.T.A. SPB
Shpalernaya ul. 54
191015 St.Petersburg (Russia)

www.eta.it