

Part number

# CHI 06 LS



Bulkhead mounting housing, C-TYPE series, with 1 lever, size "44.27", with metal cover

#### Product description

<b>Product type</b>	Bulkhead mounting housing
<b>Series</b>	C-TYPE
<b>Closing type</b>	With 1 lever
<b>Size</b>	Size "44.27"
<b>Specification</b>	With metal cover

#### Technical data

<b>IP degree of protection</b>	IP65 / IP66 / IP69
--------------------------------	--------------------

#### Further technical details

<b>Weight</b>	164,00 g
<b>Operating temperature range (min, max)</b>	-40°C...+125°C

#### Material properties

<b>Colour</b>	RAL 7040 grey
<b>RoHs conformity</b>	Compliant
<b>China RoHs - EFUP</b>	E
<b>REACH SVHC substances</b>	No

#### Approvals / Standards

<b>Certifications</b>	DNV, BV
<b>UL</b>	ECBT2
<b>cUL</b>	ECBT8

#### General ordering information

<b>EAN13 code</b>	8015747017312
<b>eCl@ss 8.1</b>	27440202
<b>ETIM 7.0</b>	EC000437

#### Packaging Information

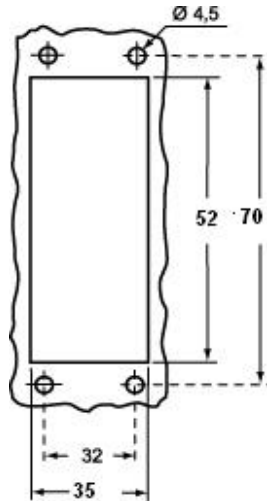
<b>Packaging length</b>	315,00 mm
<b>Packaging height</b>	230,00 mm
<b>Packaging width</b>	210,00 mm
<b>Packaging weight</b>	3,70 kg
<b>Packaging volume</b>	15,21 dm <sup>3</sup>
<b>Packaging description</b>	Carton box
<b>Packaging quantity</b>	20 Pcs
<b>Packaging EAN code</b>	8015747017329
<b>Sub-packaging weight</b>	0,93 kg
<b>Sub-packaging description</b>	Plastic packaging
<b>Sub-packaging quantity</b>	5 Pcs
<b>Sub-packaging EAN barcode</b>	8015747017336

Part number

# CHI 06 LS

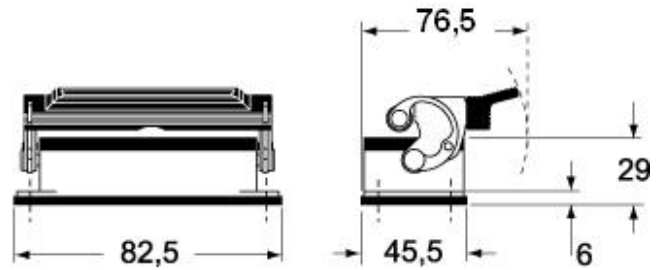


Catalogue drawings

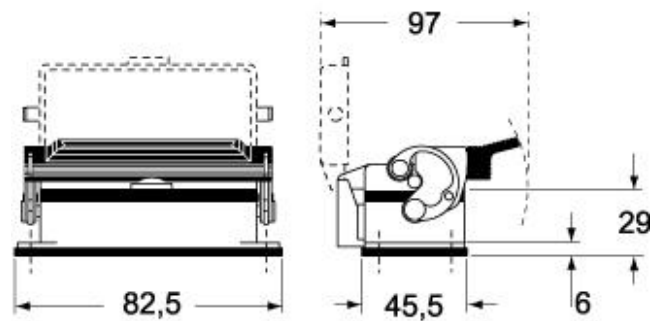


Catalogue drawings

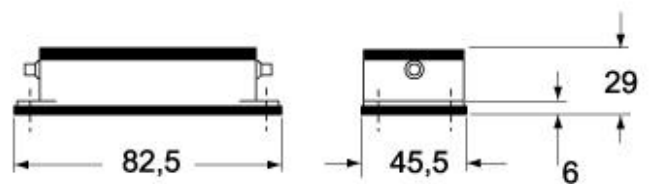
## CHI L



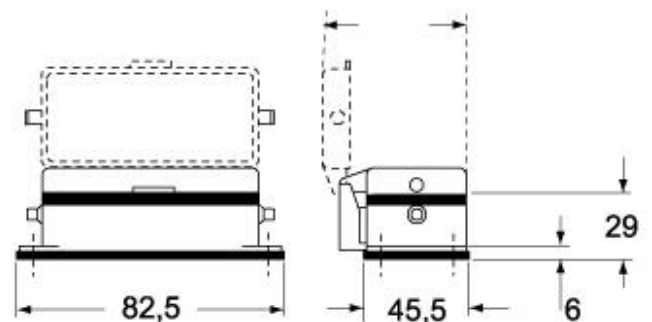
## CHI LS



## CHI LC



## CHI LCS/LCP



---

## Notes

Dimensions shown in mm are not binding and may be changed without notice.

---