

ARCA 304021



Sample image

Order symbol : ARCA 304021

Product nr : 8120023

UL Code : UL508A

Description : Cabinet, PC

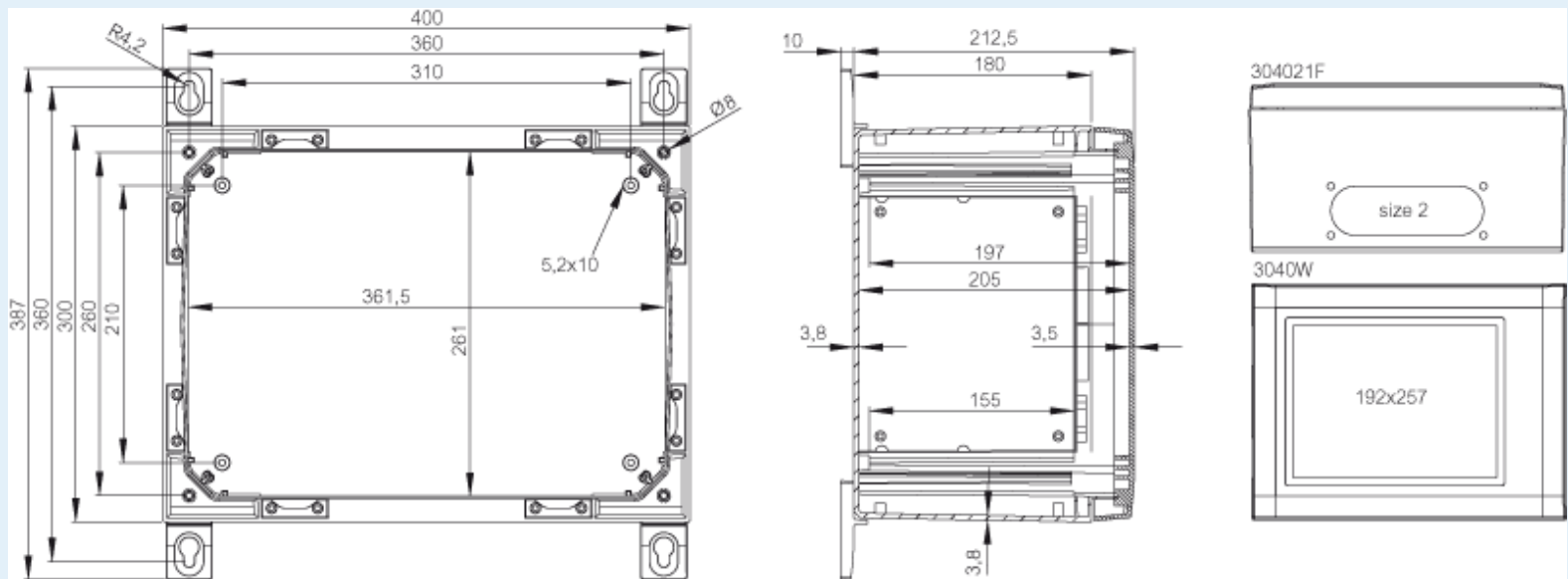
Remarks : Grey cover, 2-point locking, hinges on the short side

EAN : 6418074079343

El. number :

- Finland : 3423120
- Denmark : 8212091210
- Sweden : 2500113

Including : Cabinet base. door with PUR gasket. mounting plate. screws for mounting plate. 3mm double bit lock(s) with key. S versions with swinghandle 2-point locking system. Door guide included.



Dimensions :	Height	Width	Depth
mm :	300	400	210
inch :	15.75	11.81	8.27

Materials :

Material : Polycarbonate
Base colour : RAL_7035

Accessories :

- | | |
|-----------------|---------------------------------------------|
| DRS ARCA 304021 | DIN rail frame set (385 x 285 x 35) |
| DSP ARCA HRS | Door stopper ARCA, horizontal, right, small |
| DSP ARCA HLS | Door stopper ARCA, horizontal, left, small |
| IDS ARCA 3040 | Inner door set |
| RCS ARCA | Rain canopy set for size 3040 |

Cover colour : RAL 7035 -light grey

Gasket material : Polyurethane

Temperatures :

Temperature °C (continuous) : -40 ... 80

Temperature °F (continuous) : -40 ... 175

3040

PMK ARCA 40 PoleMounting kit, for pole ø100-300mm
(385 x 285 x 35)

MPP ARCA 3040 Mounting plate perforated (350x250x2 mm -
26x11 mm)

MPMP ARCA 4030 Mounting plate multiperforated (350x250x2
mm - ø3.6 mm)

MPS ARCA 4030 Mounting plate (350x250x2 mm)
(350 x 250 x 2)

MPX ARCA 4030 Mounting plate (350x250 mm)
(350 x 250 x 15)

Ratings :

Ingress protection (EN 60529): IP66;

Impact Resistance (EN 62262): IK10;

electrical_insulation : Totally insulated

Halogen free (DIN/VDE 0472, Part 815) : Yes

UV resistance : UL 508

Flammability Rating : UL 94 5VA

Glow Wire Test (IEC 695-2-1) °C : 960C

NEMA Class NEMA_1_4_4X_12_13

Certificates :

Certificate FI 40467