

ARCA 304021W



Sample image

Order symbol : ARCA 304021W

Product nr : 8120143

Description : Cabinet, PC

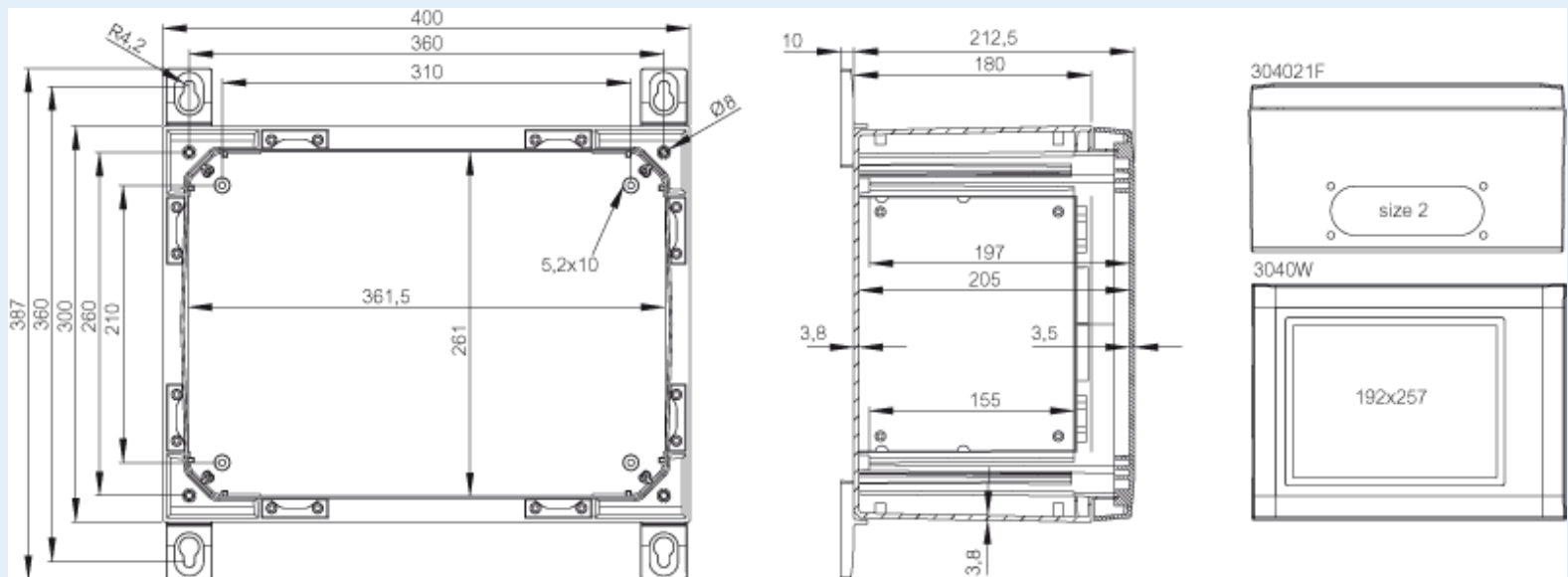
Remarks : Grey cover with window, 2-point locking, hinges on the short side

EAN : 6418074080141

El. number :

- Finland : 3423221
- Denmark : 8212091993
- Sweden : 2500141

Including : Cabinet base. door with PUR gasket. mounting plate. screws for mounting plate. 3mm double bit lock(s) with key. S versions with swinghandle 2-point locking system. Door guide included.



Dimensions :	Height	Width	Depth
mm :	300	400	210
inch :	15.75	11.81	8.58

Materials :

Material :	Polycarbonate
Base colour :	RAL_7035
Cover colour :	Clear transparent
Gasket material :	Polyurethane

Accessories :

DRS ARCA 304021	DIN rail frame set (385 x 285 x 35)
SBK ARCA 30	Support bar kit (235 x 40 x 30)
DSP ARCA HRS	Door stopper ARCA, horizontal, right, small
DSP ARCA HLS	Door stopper ARCA, horizontal, left, small
SBK ARCA 40	Support bar kit (340 x 40 x 30)

Temperatures :

Temperature °C (short term) :	-40 ... 120
Temperature °C (continuous) :	-40 ... 80
Temperature °F (short term) :	-40 ... 250
Temperature °F (continuous) :	-40 ... 175

IDS ARCA 3040	Inner door set
RCS ARCA 3040	Rain canopy set for size 3040
PMK ARCA 40	PoleMounting kit, for pole \varnothing 100-300mm (385 x 285 x 35)
MPP ARCA 3040	Mounting plate perforated (350x250x2 mm - 26x11 mm)
MPMP ARCA 4030	Mounting plate multiperforated (350x250x2 mm - \varnothing 3.6 mm)
MPS ARCA 4030	Mounting plate (350x250x2 mm) (350 x 250 x 2)
MPX ARCA 4030	Mounting plate (350x250 mm) (350 x 250 x 15)

Ratings :

Ingress protection (EN 60529):	IP65;
Impact Resistance (EN 62262):	IK08;
electrical_insulation :	Totally insulated
Halogen free (DIN/VDE 0472, Part 815) :	Yes
UV resistance :	UL 508
Flammability Rating :	UL 94 5VA
Glow Wire Test (IEC 695-2-1) °C :	960C

Certificates :

Certificate FI 40467